

2010 CBR1000RR PARTS LIST

CONTENTS

INSTRUCTIONS FOR USE OF PARTS LIST..... 3- 2

ENGINE GROUP

E- 1	ENGINE POWER UP KIT.....	3- 3
E- 2	OIL COOLER	3- 4
E- 3	OIL PAN SET	3- 5
E- 4	THERMOSTAT / OIL FILLER CAP	3- 6
E- 5	CLUTCH	3- 7
E- 6	A.C. GENERATOR SET	3- 8
E- 7	TRANSMISSION SET	3- 9
E- 7-1	TRANSMISSION (OPTIONAL PARTS)	3-10
E- 8	AIR FUNNEL SET	3-12
E- 9	THROTTLE BODY	3-13

FRAME GROUP

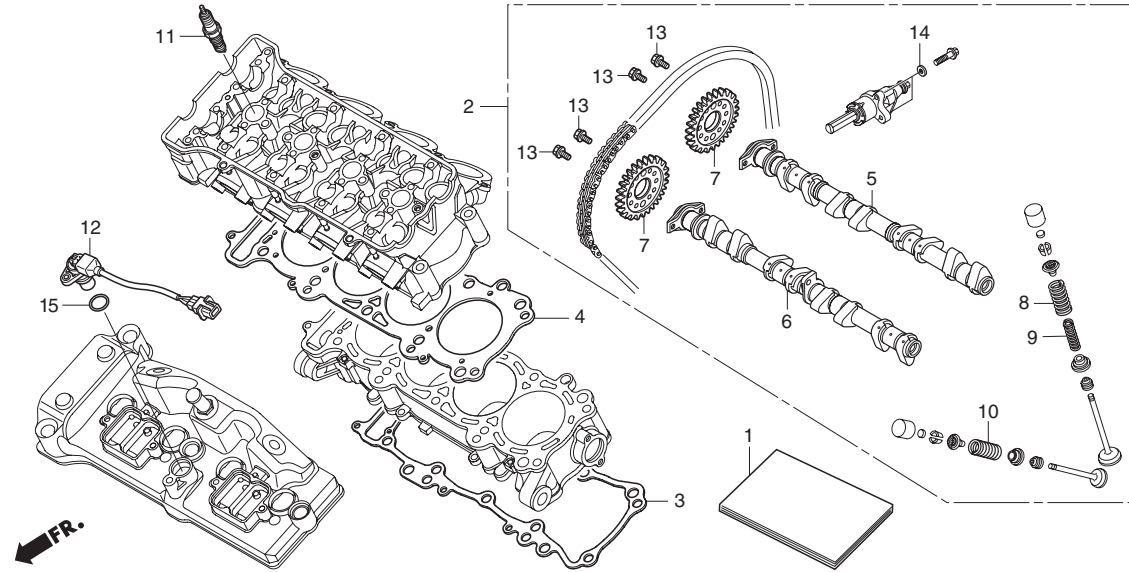
F- 1	THROTTLE / CLUTCH CABLE	3-14
F- 2	UPPER COWL STAY	3-15
F- 3	FRONT FORK	3-16
F- 4	STEERING DAMPER	3-18
F- 5	FRONT BRAKE	3-19
F- 6	REAR BRAKE	3-20
F- 7	FRONT WHEEL / AXLE SET	3-22
F- 8	REAR WHEEL	3-24
F- 9	FUEL TANK SET	3-25
F-10	BREATHER CASE SET	3-26
F-11	AIR INJECTION PLUG SET	3-27
F-12	EXHAUST SET	3-28
F-13	SWINGARM	3-30
F-14	REAR CUSHION	3-33
F-15	HARNESS SET	3-35
F-16	DATALOGGER / SHIFT FORCE SENSOR	3-37
F-17	ENGINE HUNGER BOLT	3-38
F-18	SEAT RAIL SET	3-39
F-19	RADIATOR	3-40

INDEX..... 3-41

Block No.

E-1
ENGINE POWER UP KIT

2010 CBR1000RR



Note

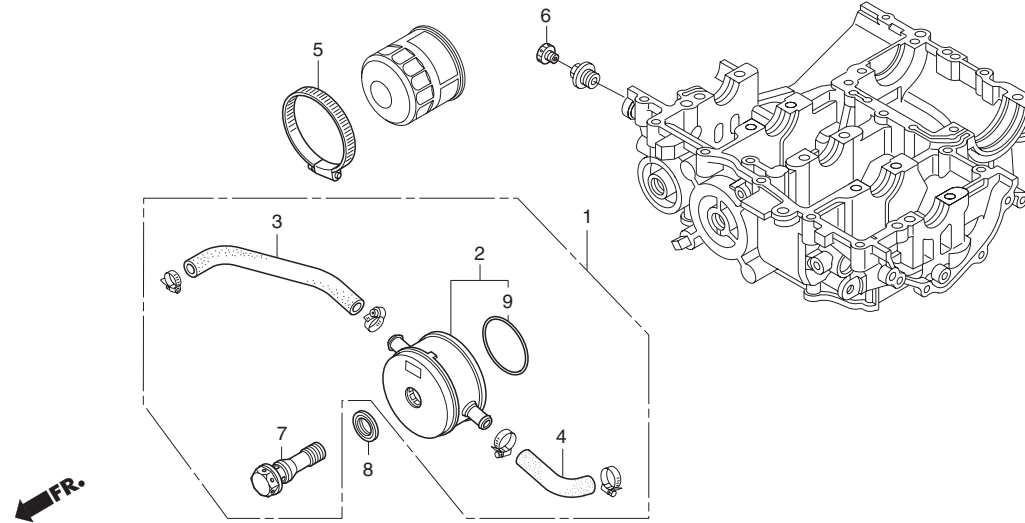
The parts which have no "Ref No" in the illustration are Honda products.

Ref. No.	Part No.	Description	Reqd. No.	Remarks
• 1	00X31-NLR-A20	SET UP MANUAL PARTS LIST	1	
• 2	06110-NLR-A30	ENGINE POWER UP KIT(1) JSB.....	1	
• 3	12191-NLR-A31	GASKET, CYLINDER 0.20	1	20
•	12192-NLR-A31	GASKET, CYLINDER 0.30	1	30
•	12193-NLR-A31	GASKET, CYLINDER 0.15	1	15
• 4	12251-NLR-A31	GASKET, CYLINDER HEAD 0.55	1	Blue paint
•	12252-NLR-A31	GASKET, CYLINDER HEAD 0.65	1	Orange paint
•	12253-NLR-A31	GASKET, CYLINDER HEAD 0.70	1	Green paint
•	12254-NLR-A31	GASKET, CYLINDER HEAD 0.75	1	Yellow paint
• 5	14110-MFL-R10	CAM SHAFT COMP, IN.....	1	
• 6	14210-MFL-R10	CAM SHAFT COMP, EXH.....	1	
• 7	14321-NLR-A30	SPROCKET, CAM	2	
• 8	14751-MFL-R10	SPG, IN VALVE OUTER	8	Brown paint
• 9	14752-MFL-R10	SPG, IN VALVE INNER	8	Brown paint
• 10	14761-MFL-R10	SPG, EX VALVE.....	8	Sky blue paint
• 11	31910-NLR-A31	SPARK PLUG (R0459A-10)	4	
• 12	36140-NLR-B00	PULSER ASSY., CAM	1	
• 13	90082-NL9-710	BOLT, FLANGE KNOCK, 7 x 10.5.....	4	
14	90488-425-000	WASHER, SEALING 6 mm.....	2	
15	91303-KF0-003	O-RING, 14.8 x 2.4 (ARAI)	1	

Block No.

E-2
OIL COOLER

2010 CBR1000RR



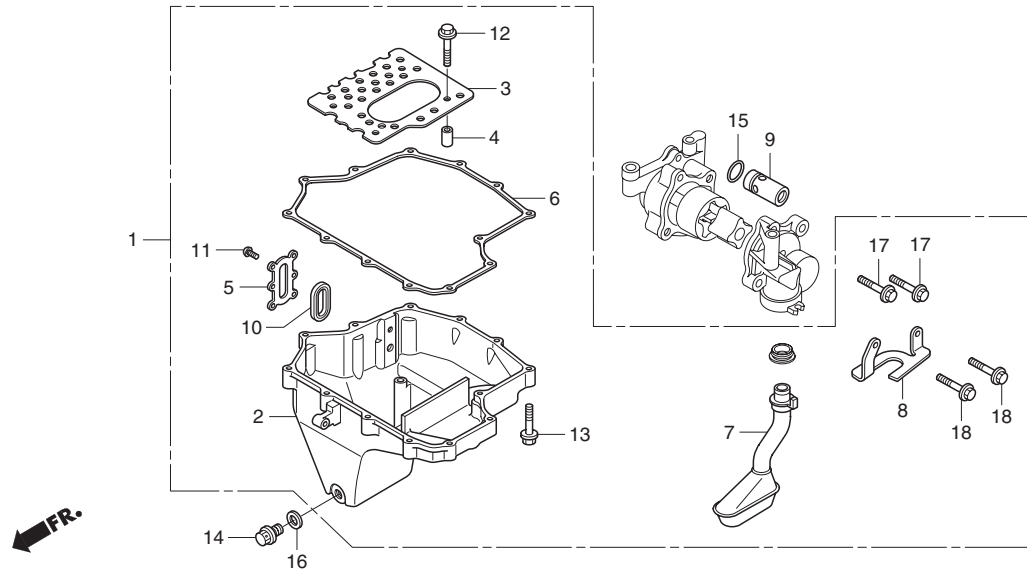
Ref. No.	Part No.	Description	Reqd. No.	Remarks
• 1	06180-NLR-A30	OIL COOLER SET	1	
• 2	15700-MFL-R11	COOLER COMP., OIL	1	
• 3	19526-MFL-R10	HOSE A, OIL/C.....	1	
• 4	19529-MFL-R10	HOSE C, OIL/C.....	1	
5	50252-GC4-830	BAND, SUB TANK.....	1	
• 6	90003-NL5-000	PLUG, TAPER	1	hole for wire lock
• 7	90019-N1A -D00	BOLT, OIL COOLER.....	1	hole for wire lock
8	90402-MFJ-D01	WASHER, SEALING, 34.5 mm.....	1	STD.
9	91354-MCT-003	O-RING, OIL COOLER.....	1	STD.

Block No.

E-3

OIL PAN SET

2010 CBR1000RR

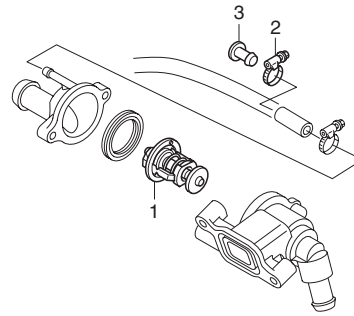


Ref. No.	Part No.	Description	Reqd. No.	Remarks
• 1	06260-NLR-000	OIL PAN SET, SBK	1	
• 2	11211-NLR-000	OIL PAN	1	
• 3	11212-NLR-000	PLATE, BAFFLE	1	
• 4	11213-NLR-000	COLLAR, 6.2 x 12 x 15	4	
• 5	11217-NLR-000	PLATE, OIL LEVEL FINDER	1	
• 6	11292-NLR-000	GASKET, OIL PAN	1	
• 7	15150-NLR-000	STRAINER COMP., OIL	1	
• 8	15161-NLR-000	STAY, STRAINER STOPPER	1	
• 9	15220-NLR-000	VALVE ASSY., RELIEF (7K)	1	For SBK/AMA
• 10	15661-NLR-003	FINDER, OIL LEVEL	1	
• 11	90005-NLR-000	SCREW, FLAT, 4 x 8.5	6	
12	90006-GHB-680	BOLT, FLANGE, NSHF, 6 x 28	4	
13	90006-GHB-690	BOLT, FLANGE, NSHF, 6 x 32	13	
• 14	90081-NX4-000	BOLT, DRAIN, 12 mm	1	hole for wire lock
15	91313-MB0-003	O-RING, 14.7 x 2.2	1	For SBK/AMA
16	94109-12000	WASHER, DRAIN PLUG, 12 mm	1	STD.
17	95701-06030-00	BOLT, FLANGE, 6 x 30	2	
18	95701-06032-00	BOLT, FLANGE, 6 x 32	2	

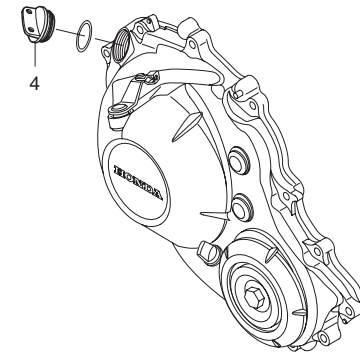
Block No.

E-4
THERMOSTAT / OIL FILLER CAP

2010 CBR1000RR



FR. ←



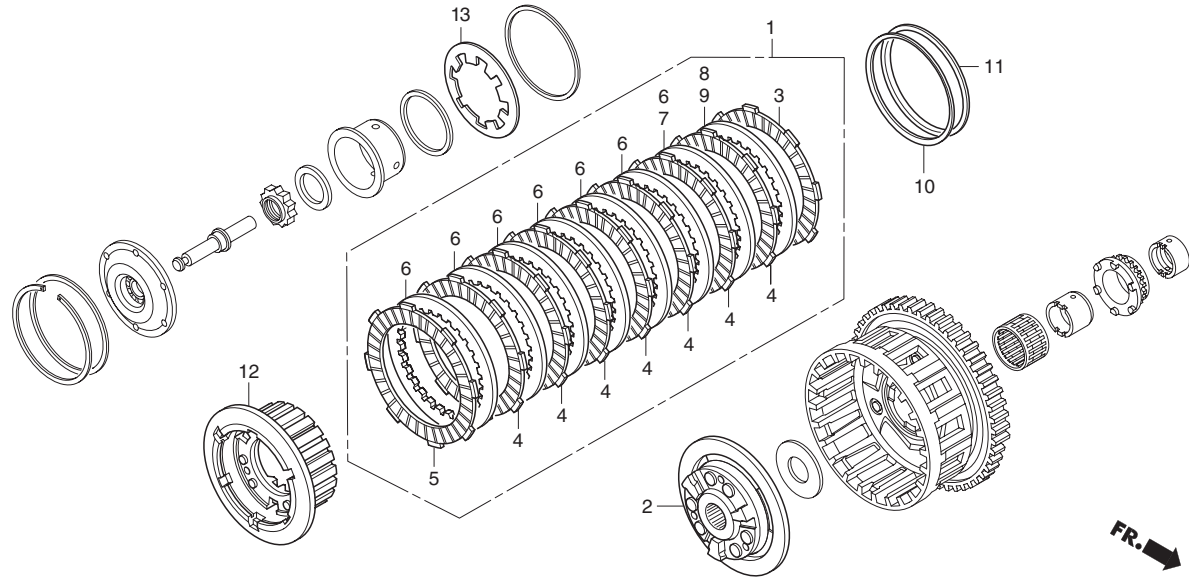
FR. →

Ref. No.	Part No.	Description	Reqd. No.	Remarks
• 1	19320-MFL-R11	THERMOSTAT	1	62°C
• 2	19507-MAT-000	CLAMP, RADIATOR HOSE	1	
• 3	19511-NL3-650	PLUG, FAST IDLE.....	1	
• 4	15611-NF4-900	CAP, OIL FILLER.....	1	hole for wire lock

Block No.

**E-5
CLUTCH**

2010 CBR1000RR

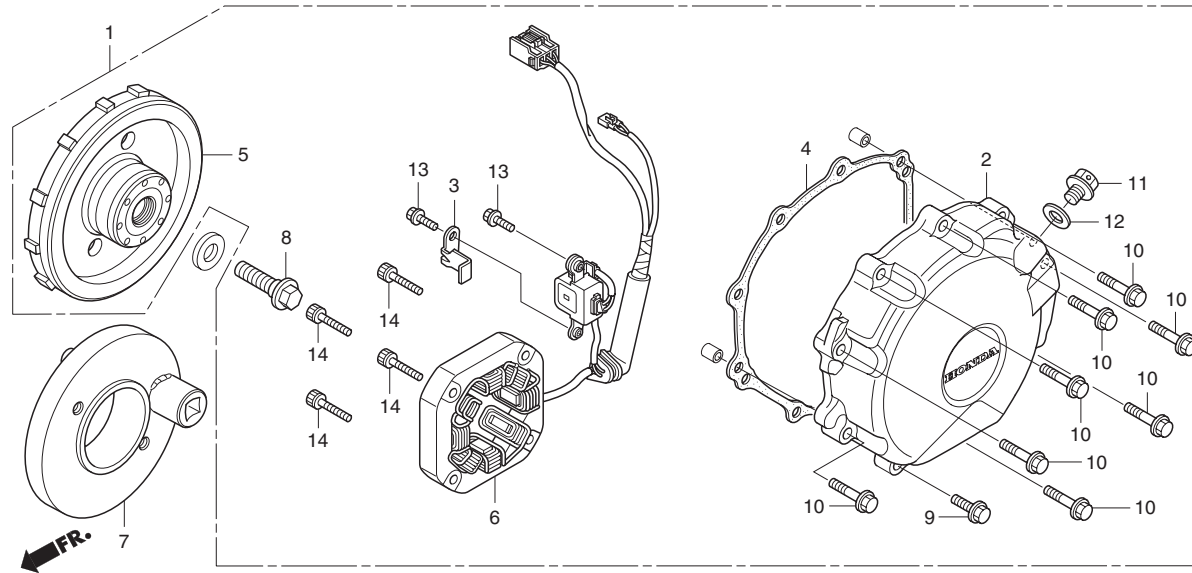


Ref. No.	Part No.	Description	Reqd. No.	Remarks
• 1	06280-NLR-A30	DISK SET, CLUTCH.....	1	
• 2	22120-MFL-R20	CENTER COMP., CLUTCH	1	
• 3	22201-NL9-C30	DISK, CLUTCH FRICTION	1	
• 4	22201-MEL-000	DISK, CLUTCH FRICTION	7	
• 5	22201-NLR-A30	DISK, CLUTCH FRICTION	1	Pink paint
• 6	22321-MEL-000	PLATE, CLUTCH.....	7	
• 7	22321-MT3-000	PLATE A, CLUTCH	1	
• 8	22322-MEL-000	PLATE B, CLUTCH	1	
• 9	22322-MN4-000	PLATE B, CLUTCH	1	
• 10	22325-MFL-R20	SPRING, CLUTCH PLATE	1	Sky blue paint
• 11	22326-MFL-R10	SPRING SEAT, JUDDER.....	1	
• 12	22350-MFL-R20	PLATE COMP., CLUTCH PRESSURE	1	
• 13	22401-MFL-R20	SPRING, CLUTCH	1	Yellow paint

Block No.

E-6
A.C. GENERATOR SET

2010 CBR1000RR

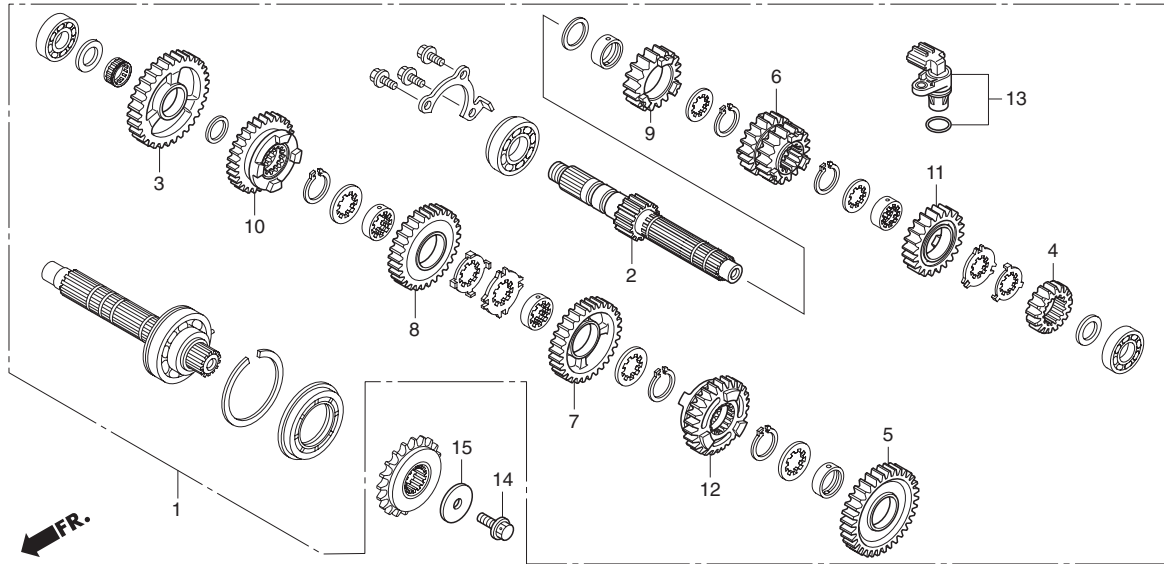


Ref. No.	Part No.	Description	Reqd. No.	Remarks
• 1	06130-NLR-C30	ACG SET.....	1	
• 2	11321-NLR-A30	COVER, ACG	1	
• 3	11322-NLR-A30	CLAMP, ACG CORD.....	1	
• 4	11392-NLR-A30	GASKET, ACG COVER.....	1	
• 5	31110-NLR-C30	ROTOR COMP.	1	
• 6	31120-NLR-A32	STATOR COMP.	1	
• 7	89030-NL9-711	HOLDER, COMP., ROTOR	1	OP
• 8	90003-NL9 -000	BOLT, FLANGE, 10 x 35.....	1	
• 9	90006-GHB -660	BOLT, FLANGE, NSHF, 6 x 22	1	
• 10	90006-GHB -680	BOLT, FLANGE, NSHF, 6 x 28	8	
• 11	90029-NLR-A30	BOLT, SEALING 14 mm	1	hole for wire lock
• 12	94109-14000	WASHER, PLUG 14 mm	1	
• 13	95701-06016-00	BOLT, FLANGE, 6 x 16.....	2	
• 14	96600-06025-00	BOLT, SOCKET, 6 x 25.....	4	

Block No.

E-7
TRANSMISSION SET

2010 CBR1000RR



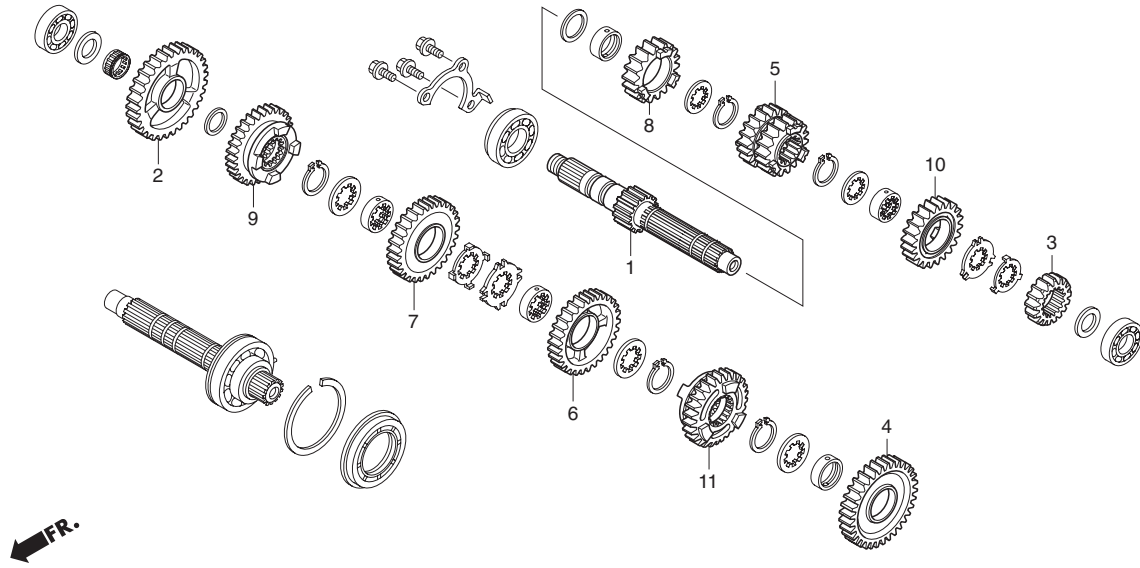
Ref. No.	Part No.	Description	Reqd. No.	Remarks
• 1	06210-NLR-B40	TRANSMISSION SET	1	
• 2	23211-MFL-R10	SHAFT, MAIN	1	P-1 14T
• 3	23421-NLR-B40	GEAR, C-1	1	P-1 32T
• 4	23431-NLR-B40	GEAR, M-2	1	P-1 17T
• 5	23441-NLR-B40	GEAR, C-2	1	P-1 33T
• 6	23451-NLR-B40	GEAR, M-3 M-4	1	P-11 18T/20T
• 7	23461-NLR-B40	GEAR, C-3	1	C3 P-1 30T
• 8	23481-NLR-B40	GEAR, C-4	1	C4 P-1 30T
• 9	23491-MFL-R10	GEAR, M-5	1	M5 P-1 23T
• 10	23501-MFL-R10	GEAR, C-5	1	C5 P-1 31T
• 11	23511-MFL-R10	GEAR, M-6	1	M6 P-1 22T
• 12	23521-MFL-R10	GEAR, C-6	1	C6 P-1 27T
• 13	37700-MFL-R21	SENSOR, ASSY., SPEED	1	
• 14	90004-492-010	SPL. BOLT, FLANGE, 10 x 22	1	hole for wire lock
• 15	90402-NL6-000	WASHER, 10.2 x 37 x 33	1	

Block No.

E-7-1

**TRANSMISSION
(OPTIONAL PARTS)**

2010 CBR1000RR



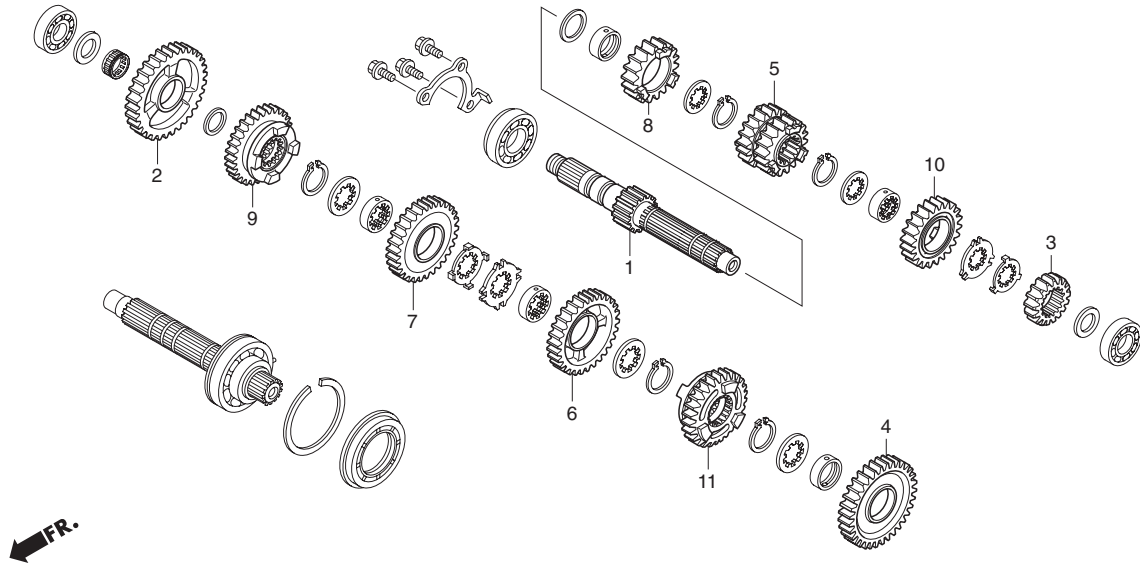
Ref. No.	Part No.	Description	Reqd. No.	Remarks
• 1	23212-NLR-A30	SHAFT, MAIN P-2	1	P-2 15T
•	23213-NLR-A30	SHAFT, MAIN P-3	1	P-3 14T
• 2	23422-NLR-B40	GEAR, C-1, P-2	1	P-2 36T
•	23423-NLR-B40	GEAR, C-1, P-3	1	P-3 31T
• 3	23432-NLR-B40	GEAR, M-2 P-2	1	P-2 18T
•	23433-NLR-B40	GEAR, M-2 P-3	1	P-3 17T
• 4	23442-NLR-B40	GEAR, C-2 P-2	1	P-2 36T
•	23443-NLR-B40	GEAR, C-2 P-3	1	P-3 32T
• 5	23452-NLR-B40	GEAR, M-3 M-4 P-12	1	P-12 18T/19T
•	23453-NLR-B40	GEAR, M-3 M-4 P-21	1	P-21 20T/20T
•	23454-NLR-B40	GEAR, M-3 M-4 P-22	1	P-22 20T/19T
•	23455-NLR-B40	GEAR, M-3 M-4 P-31	1	P-31 19T/20T
•	23456-NLR-B40	GEAR, M-3 M-4 P-32	1	P-32 19T/19T
• 6	23462-NLR-B40	GEAR, C-3 P-2	1	C3 P-2 34T
•	23463-NLR-B40	GEAR, C-3 P-3	1	C3 P-3 31T
• 7	23482-NLR-B40	GEAR, C-4 P-2	1	C4 P-2 29T
•	23483-NLR-B40	GEAR, C-4 P-3	1	C4 P-3 29T
• 8	23492-NLR-B40	GEAR, M-5 P-2	1	M5 P-2 20T
•	23493-NLR-A30	GEAR, M-5 P-3	1	M5 P-3 19T
•	23494-NLR-A30	GEAR, M-5 P-4	1	M5 P-4 22T
• 9	23502-NLR-A30	GEAR, C-5 P-2	1	C5 P-2 28T
•	23503-NLR-A30	GEAR, C-5 P-3	1	C5 P-3 26T

Block No.

E-7-1

**TRANSMISSION
(OPTIONAL PARTS)**

2010 CBR1000RR

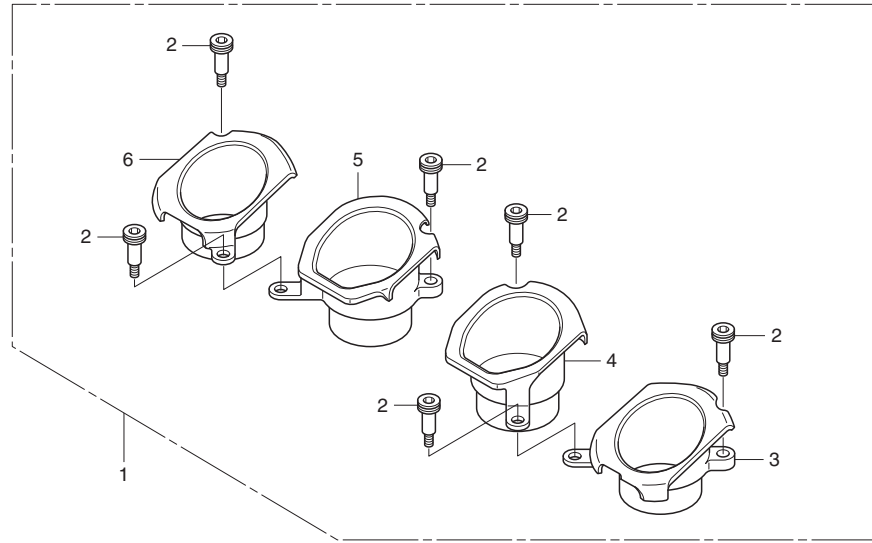


Ref. No.	Part No.	Description	Reqd. No.	Remarks
•	23504-NLR-A30	GEAR, C-5 P-4	1	C5 P-4 29T
• 10	23512-NLR-A30	GEAR, M-6 P-2	1	M6 P-2 22T
•	23513-NLR-A30	GEAR, M-6 P-3	1	M6 P-3 24T
•	23514-NLR-A30	GEAR, M-6 P-4	1	M6 P-4 25T
• 11	23522-NLR-A30	GEAR, C-6 P-2	1	C6 P-2 28T
•	23523-NLR-A30	GEAR, C-6 P-3	1	C6 P-3 30T
•	23524-NLR-A30	GEAR, C-6 P-4	1	C6 P-4 30T

Block No.

E-8
AIR FUNNEL SET

2010 CBR1000RR

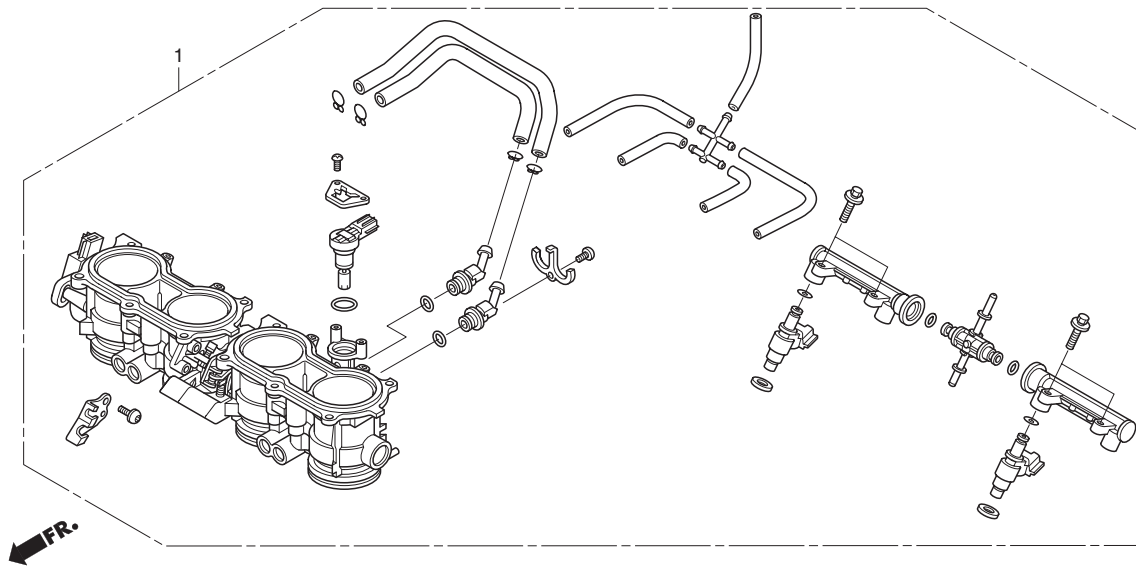


Ref. No.	Part No.	Description	Reqd. No.	Remarks
• 1	06160-NLR-B30	AIR FUNNEL SET	1	
• 2	16514-NL9 -710	BOLT, 5mm	6	
• 3	17215-NLR-B30	FUNNEL, AIR #1	1	#1-15
• 4	17216-NLR-B30	FUNNEL, AIR #2	1	#2-25
• 5	17217-NLR-B30	FUNNEL, AIR #3	1	#3-25
• 6	17218-NLR-B30	FUNNEL, AIR #4	1	#4-15

Block No.

E-9
THROTTLE BODY

2010 CBR1000RR



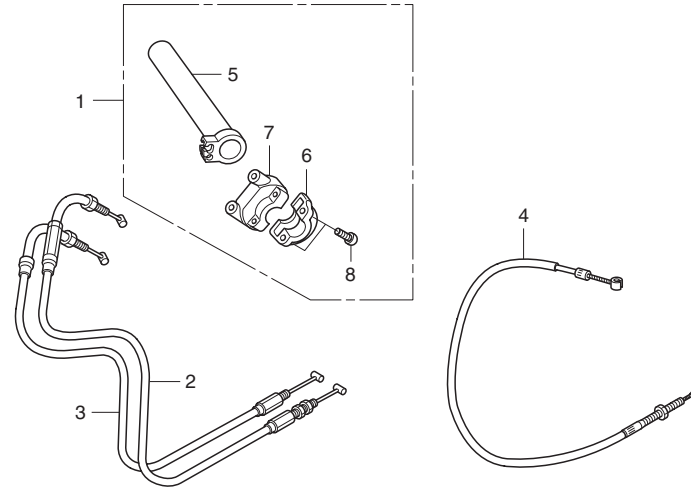
Ref. No.	Part No.	Description	Reqd. No.	Remarks
• 1	16400-MFL-R11	THROTTLE BODY ASSY. (GQ23D A).....	1	

Block No.

F-1

THROTTLE / CLUTCH CABLE

2010 CBR1000RR



←FR.

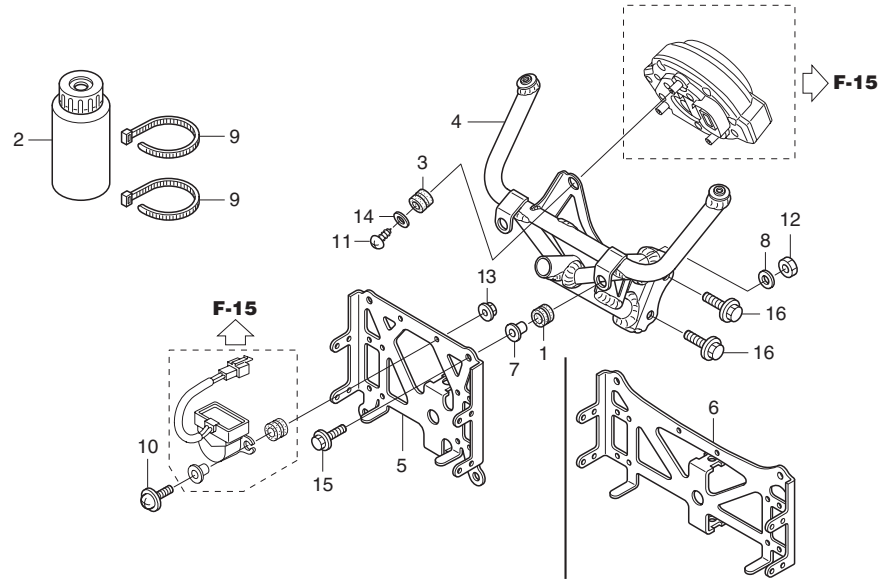
Ref. No.	Part No.	Description	Reqd. No.	Remarks
• 1	06531-NL3-750	HOUSING SET, THROT	1	
• 2	17910-NLR-000	CABLE COMP. A, THROT	1	
• 3	17920-NLR-000	CABLE COMP. B, THROT	1	
• 4	22870-NLR-000	CABLE COMP., CLUTCH.....	1	
• 5	53141-MT7-000	PIPE, THROT GRIP HRC.....	1	
6	53167-KV3-700	HOUSING, THROT UP	1	BOSS cut
7	53168-KV3-701	HOUSING, THROT UND	1	
8	93500-05022-0G	SCREW, PAN, 5 x 22.....	2	

Block No.

F-2

UPPER COWL STAY

2010 CBR1000RR

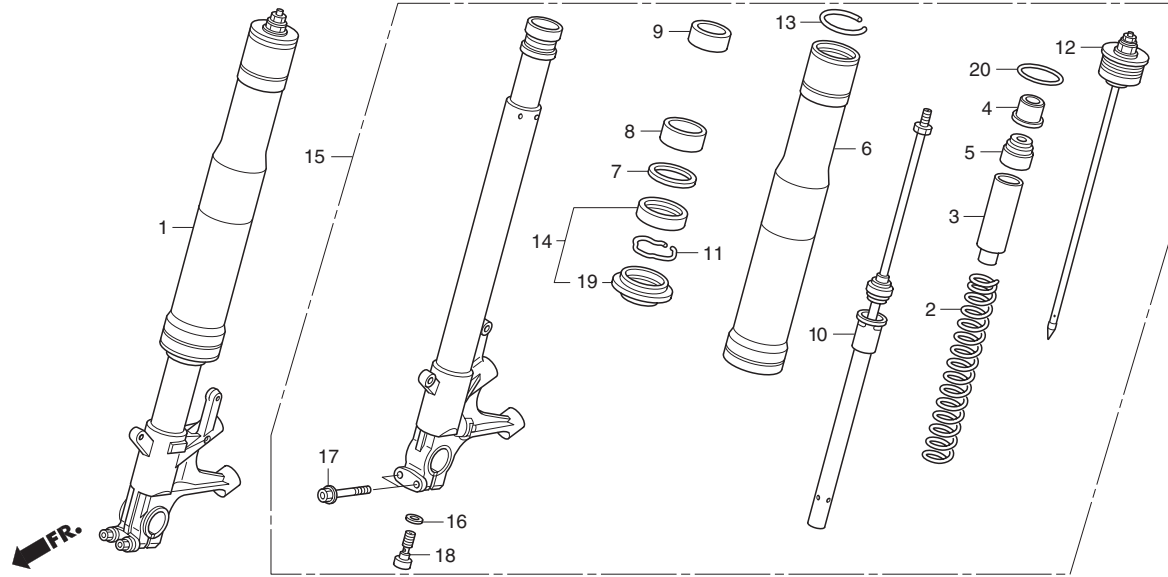


Ref. No.	Part No.	Description	Reqd. No.	Remarks
• 1	18357-KA4-710	COLLAR, SILENCER.....	2	
• 2	19602-NF4-810	TANK, CATCH 250	1	
• 3	37244-MM4-000	RUBBER, SPEEDOMETER MOUNTING	3	STD.
• 4	64501-NLR-000	STAY, UPPER COWL	1	
• 5	64503-NLR-000	STAY, CATCH TANK.....	1	
• 6	64503-NLR-A20	STAY, CATCH TANK.....	1	For STD. UPPER COWL STAY
7	84706-163-670	COLLAR, TAIL LIGHT MOUNTING	1	
8	90525-030-000	WASHER B, HANDLE HOLDER.....	2	
9	90651-NC8-000	BAND, 3.6 x 281.....	2	
10	93891-04022-07	SCREW, WASHER 4 x 22	2	
11	93913-25380	SCREW, TAPPING 5 x 14.....	3	STD.
12	94001-06200-0S	NUT, HEX. 6 mm	2	
13	94050-04000	NUT, FLANGE 4 mm.....	2	
14	94103-05700	WASHER, PLAIN, 5 mm	3	STD.
15	96001-06020-00	BOLT, FLANGE 6 x 20.....	2	
16	96300-08020-00	BOLT, FLANGE DR 8 x 20.....	2	

Block No.

**F-3
FRONT FORK**

2010 CBR1000RR

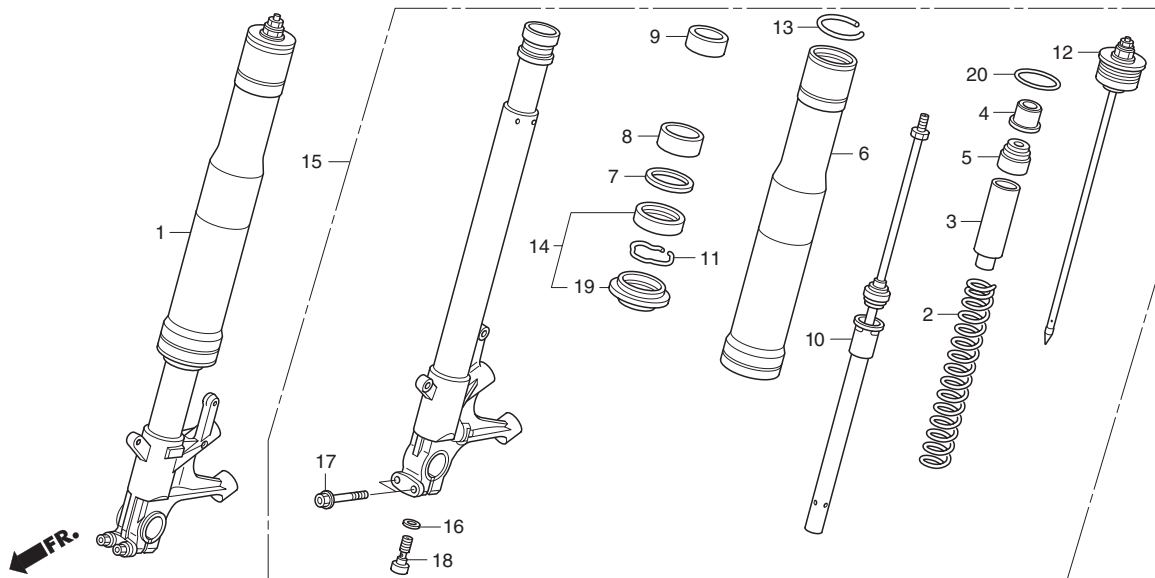


Ref. No.	Part No.	Description	Reqd. No.	Remarks
• 1	51400-MFL-R11	FORK ASSY., R. FRONT	1	No sale by HRC, ≙ 51400-MFL-003 (exchanges No. 2, 3, 4, 5)
• 2	51401-MEL-R31	SPRING, FR. FORK.....	2	
•	51401-NL9-711	SPRING, FR. FORK 1.05.....	(2)	
•	51401-NL9-901	SPRING, FR. FORK 0.90.....	(2)	
•	51402-NL9-711	SPRING, FR. FORK 1.10.....	(2)	
•	51402-NL9-901	SPRING, FR. FORK 1.00.....	(2)	
• 3	51403-MFL-R11	COLLAR, SPRING.....	2	
• 4	51404-MFL-R11	COLLAR B, SPRING	2	
• 5	51406-MEL-R11	STOPPER, SPRING SEAT	2	
6	51410-MFL-003	TUBE, OUTER	2	STD.
7	51412-MEL-003	RING, BACK UP.....	2	STD.
8	51414-MFL-003	BUSH, GUIDE.....	2	STD.
9	51415-MCF-003	BUSH, SLIDER	2	STD.
10	51430-MFL-003	DAMPER COMP., FR	2	STD.
11	51447-KA4-711	RING, OIL SEAL STOPPER	2	STD.
12	51450-MFL-003	BOLT COMP., FR. FORK.....	2	STD.
13	51455-MW4-003	RING, STOPPER.....	2	STD.
14	51490-MFL-003	SEAL SET, FR. FORK	2	STD.
• 15	51500-MFL-R11	FORK ASSY., L. FRONT.....	1	No sale by HRC, ≙ 51500-MFL-003 (exchanges No. 2, 3, 4, 5)
16	52442-KA3-711	WASHER, SPECIAL 10 mm	2	STD.

Block No.

F-3
FRONT FORK

2010 CBR1000RR

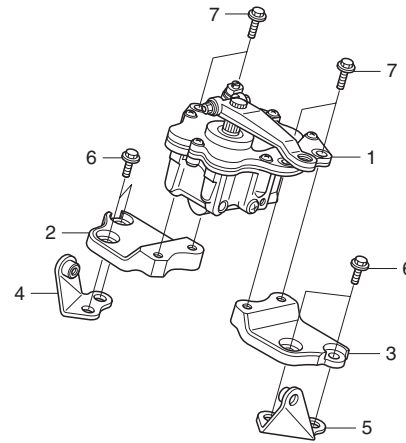


Ref. No.	Part No.	Description	Reqd. No.	Remarks
17	90109-MR7-000	BOLT, FLANGE DR 8 x 45.....	4	STD.
18	90126-MR7-003	BOLT, SOCKET 10 x 35.....	2	STD.
19	91254-MEJ-003	DUST SEAL	2	
20	91258-GF4-003	O-RING, 42.2 x 2.4	2	STD.

Block No.

F-4
STEERING DAMPER

2010 CBR1000RR

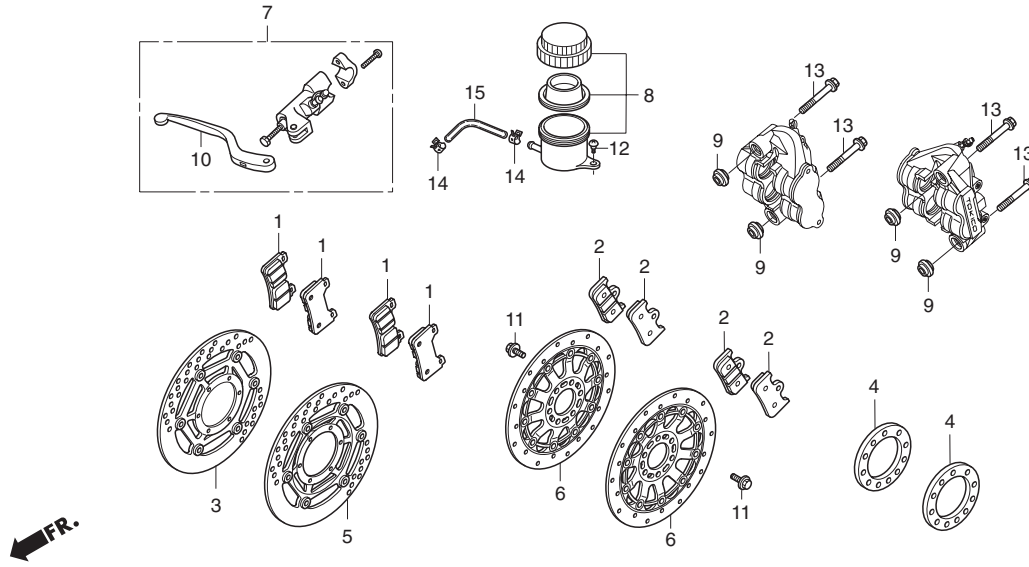


Ref. No.	Part No.	Description	Reqd. No.	Remarks
• 1	53700-NLR-003	DAMPER ASSY., STRG	1	
• 2	53707-NLR-A000	STAY RIGHT, STRG DAMPER.....	1	
• 3	53708-NLR-A000	STAY LEFT, STRG DAMPER	1	
• 4	53717-NLR-A000	STAY RIGHT, SHELTER.....	1	
• 5	53718-NLR-A000	STAY LEFT, SHELTER	1	
6	96001-06018-00	BOLT FLANGE SH 6 x 18	4	
7	96001-06022-00	BOLT FLANGE SH 6 x 22	4	

Block No.

F-5
FRONT BRAKE

2010 CBR1000RR

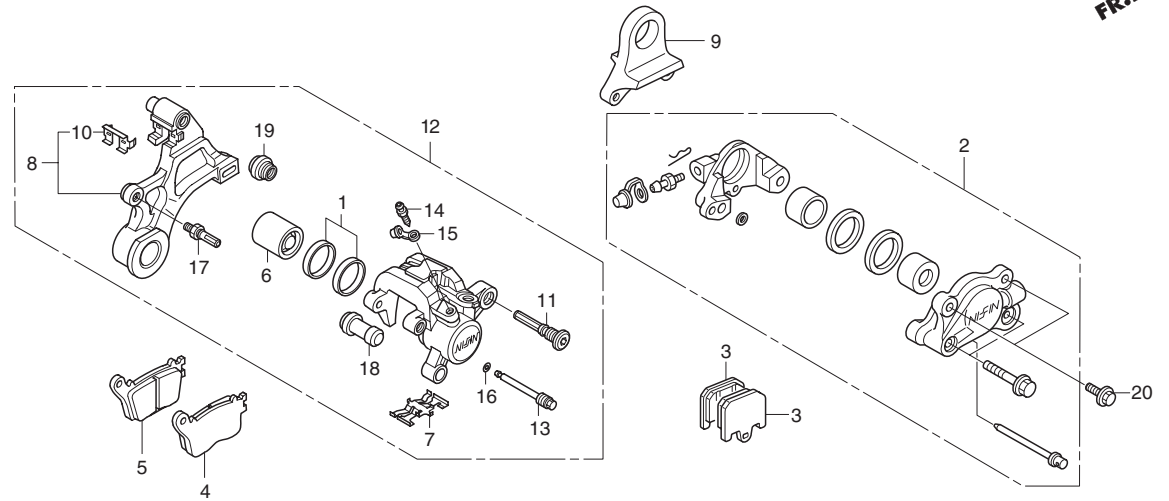


Ref. No.	Part No.	Description	Reqd. No.	Remarks
• 1	45105-NL3-921	PAD COMP., FR. (H21A)	4	For STD. CALIPER
•	45105-NL9-801	PAD COMP., FR. (N615).....	4	For STD. CALIPER
•	45106-NL3-921	PAD COMP., FR. (N608).....	4	For STD. CALIPER
• 2	45105-NL9-000	PAD COMP., FR. (N614).....	4	For BREMBO CALIPER
•	45105-NL9-900	PAD COMP., FR. (N608).....	4	For BREMBO CALIPER
•	45105-NL9-C00	PAD COMP., FR. (N615).....	4	For BREMBO CALIPER
• 3	45120-MFL-R11	DISK COMP., R. FR. BRAKE	1	For STD. WHEEL Ø320 t5.5
• 4	45130-NL9-000	SPACER, FR. WHEEL DISK 1.5.....	2	For SHOWA SPL FORK, NL9 WHEEL
•	45130-NLR-A30	SPACER, FR. WHEEL DISK 0.2.....	2	For STD. FORK, NL9 WHEEL
• 5	45220-MFL-R11	DISK COMP., L. FR. BRAKE.....	1	For STD. WHEEL Ø320 t5.5
• 6	45250-NL9-910	DISK ASSY., FR. 320 x T6.....	2	BREMBO, For NL9 WHEEL Ø320 t6.0 OFFSET 12.5
• 7	45500-NL5-701	M/C ASSY., BR L18.....	1	BREMBO
• 8	45520-NL5-701	CUP ASSY., FR. M/C.....	1	
• 9	51497-MEL-D20	SPACER, FR. FORK.....	4	For STD. FORK, STD. CALIPER
•	51497-NLR-A30	SPACER, FR. FORK.....	4	For STD. FORK, BREMBO CALIPER
• 10	53160-NL5-701	LEVER, FR. BRAKE L 18P.....	1	BREMBO
• 11	90003-MC7-000	BOLT, FLANGE, 6 x 20.....	12	
• 12	90104-GT8-600	SCREW, SPECIAL, 6 x 14	1	
• 13	90131-MEL-D20	BOLT, FLANGE, 10 x 62.....	4	
• 14	95002-40850-08	CLAMP., TUBE (D8.5)	2	
• 15	95003-11015-60	TUBE, VINYL, 5 x 9 x 150.....	1	

Block No.

F-6
REAR BRAKE

2010 CBR1000RR

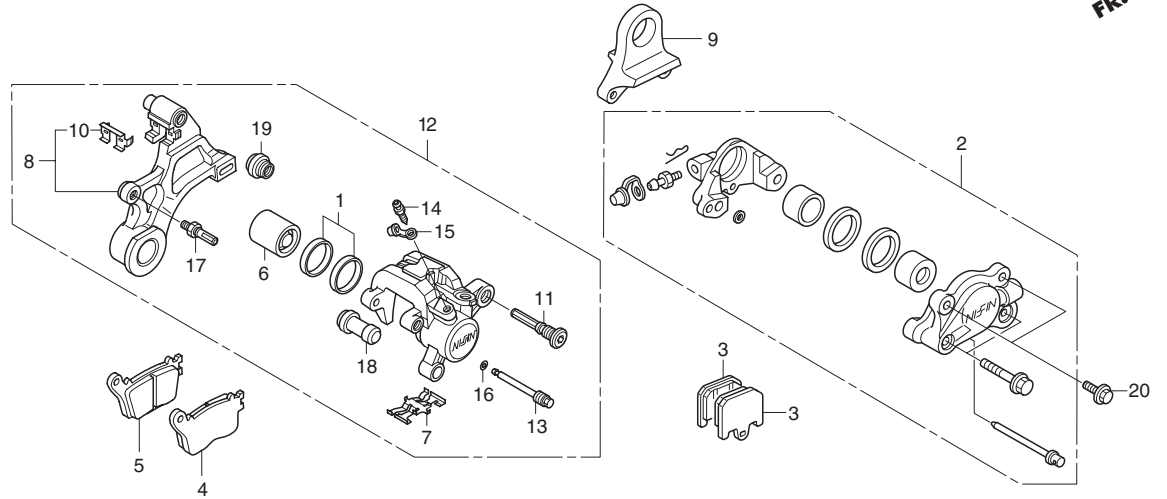


Ref. No.	Part No.	Description	Reqd. No.	Remarks
• 1	06451-166-405	SEAL SET, PISTON	1	STD.
• 2	43100-NLR-B01	CALIPER ASSY, RR.	1	
• 3	43105-NLR-B00	PAD COMP., RR. (TT2450)	2	For NLR CALIPER
• 4	43105-NL9-C30	PAD COMP., A RR. (TT2450)	1	For STD. CALIPER
• 4	43105-NL9-C41	PAD COMP., A RR. (X95A)	1	For STD. CALIPER
• 5	43106-NL9-C30	PAD COMP., B RR. (TT2450)	1	For STD. CALIPER
• 5	43106-NL9-C41	PAD COMP., B RR. (X95A)	1	For STD. CALIPER
6	43107-MEL-D21	PISTON.....	1	STD.
7	43108-MEL-D21	SPRING, PAD	1	STD.
• 8	43110-MEL-R31	BRACKET SUB ASSY., RR.....	1	
• 9	43110-NLR-000	BRKT, RR. CALIPER	1	For NLR CALIPER, NL9 WHEEL
10	43112-MEL-D21	RETAINER	1	STD.
11	43131-KW3-006	BOLT, PIN	1	STD.
• 12	43150-MEL-R31	CALIPER SUB ASSY., RR.	1	No sale by HRC, ≙ 43150-MEL-D31 (exchanges No. 8)
13	43215-KZ4-J41	PIN, HANGER.....	1	STD.
14	43352-568-003	SCREW, BLEEDER (NISSIN).....	1	STD.
15	43353-461-771	CAP, BLEEDER	1	STD.
16	45111-MAJ-G41	RING, STOPPER.....	1	STD.
17	45131-166-016	BOLT, PIN	1	STD.
18	45132-166-016	BOOT, PIN BUSH (NISSIN)	1	STD.

Block No.

F-6
REAR BRAKE

2010 CBR1000RR

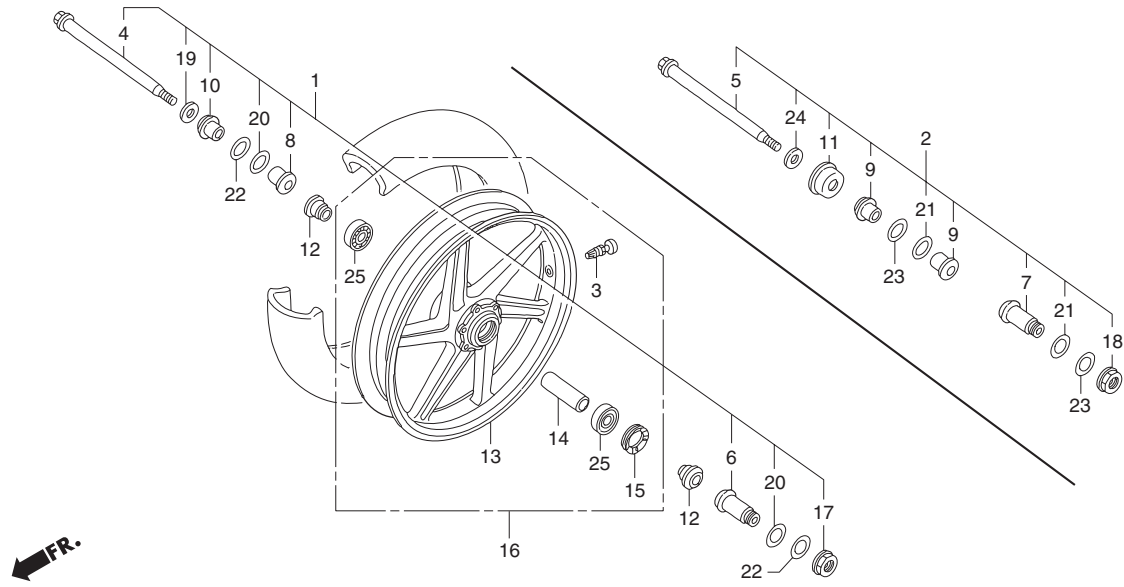


Ref. No.	Part No.	Description	Reqd. No.	Remarks
19	45133-MA3-006	BOOT B	1	STD.
• 20	90101-NL6-000	BOLT, FLANGE, 7 x 21	2	

Block No.

F-7
FRONT WHEEL / AXLE SET

2010 CBR1000RR

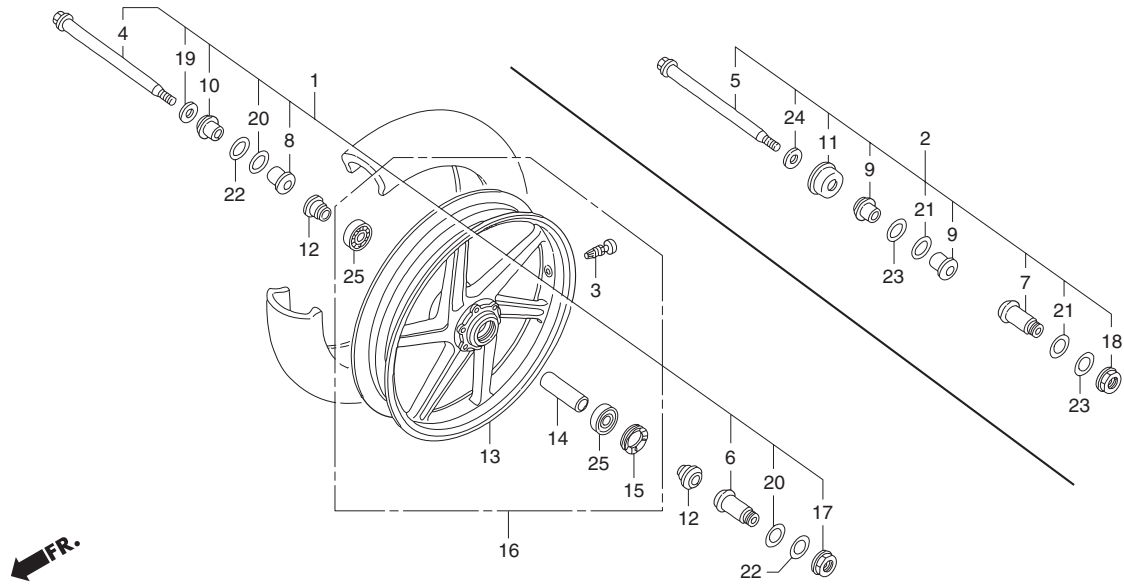


Ref. No.	Part No.	Description	Reqd. No.	Remarks
• 1	06443-NL9-000	FR. AXLE SET	1	For SHOWA SPL FORK
• 2	06443-NL9-720	FR. AXLE SET	1	For STD. FORK
• 3	42753-ML7-004	VALVE, RIM (DUN)	1	
• 4	44301-NL6-000	AXLE, FR. WHEEL	1	For SHOWA SPL FORK
• 5	44301-NL9-720	AXLE, FR. WHEEL	1	For STD. FORK
• 6	44303-NL9-000	NUT, FR. AXLE	1	For SHOWA SPL FORK
• 7	44303-NL9-720	NUT, FR. AXLE	1	For STD. FORK
• 8	44304-NL9-000	GUIDE A, FR. AXLE	1	For SHOWA SPL FORK
• 9	44304-NL9-720	GUIDE, FR. AXLE	2	For STD. FORK
• 10	44305-NL9-000	GUIDE B, FR. AXLE	1	For SHOWA SPL FORK
• 11	44306-NL9-720	GUIDE WASH, FR. AXLE	1	For STD. FORK
• 12	44311-NL9-710	COLLAR, FR. WHEEL SIDE	2	For SHOWA SPL FORK, NL9 WHEEL, AXLE KIT
•	44311-NL9-810	COLLAR, FR. WHEEL SIDE	2	For STD. FORK, NL9 WHEEL, AXLE KIT
•	44311-NL9-910	COLLAR, FR. WHEEL SIDE	2	For STD. FORK, STD. WHEEL, AXLE KIT
• 13	44601-NL9-710	WHEEL, FR. 3.5 - 16.5	1	
• 14	44620-NL9-710	COLLAR, FR. WHEEL DIST	1	For NL9 WHEEL
• 15	44622-NL0-810	RETAINER, FR. WHEEL	1	For NL9 WHEEL
• 16	44650-NL9-710	WHEEL ASSY., FR. 3.5 - 16.5	1	
• 17	90305-NL6-000	NUT, M28 x 1.0	1	For SHOWA SPL FORK
• 18	90305-NL9-720	NUT, M30 x 1.0	1	For STD. FORK

Block No.

F-7
FRONT WHEEL / AXLE SET

2010 CBR1000RR

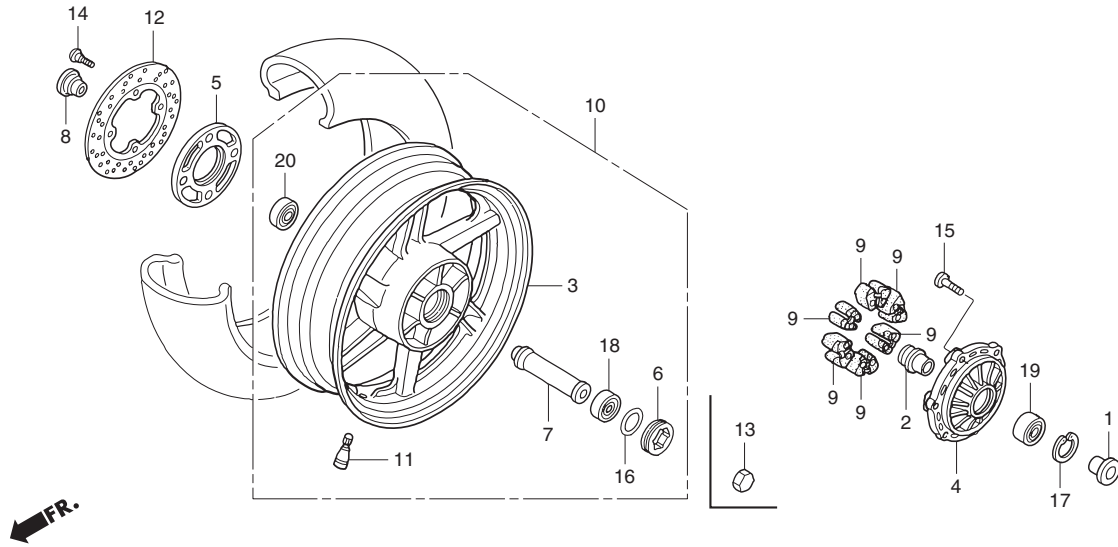


Ref. No.	Part No.	Description	Reqd. No.	Remarks
• 19	90503-NL6-000	WASHER, 45 x 22 x 3.....	1	For SHOWA SPL FORK
• 20	90525-NL9-000	SHIM 0.2, FR. FORK SIDE.....	N	For SHOWA SPL FORK
• 21	90525-NL9-720	SHIM 0.2, FR. FORK R. SIDE	N	For STD. FORK
• 22	90526-NL9-000	SHIM 0.3, FR. FORK SIDE.....	N	For SHOWA SPL FORK
• 23	90526-NL9-720	SHIM 0.3, FR. FORK R. SIDE	N	For STD. FORK
• 24	90535-NL9-720	WASH, FR. AXLE	1	For STD. FORK
• 25	91057-NL9-710	BEARING, RADIAL, BALL.....	2	For NL9 WHEEL

Block No.

F-8
REAR WHEEL

2010 CBR1000RR



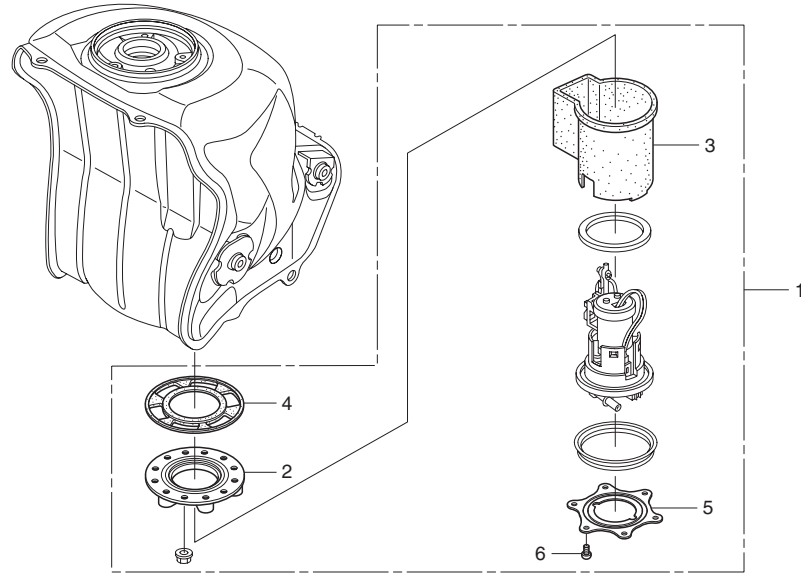
Ref. No.	Part No.	Description	Reqd. No.	Remarks
• 1	42311-NL9-C40	COLLAR, L. DRIVEN FLANGE SIDE	1	
• 2	42312-NL6-000	COLLAR, R. DRIVEN FLANGE SIDE	1	
• 3	42601-NL9-710	WHEEL, REAR 6.25 - 16.5	1	
• 4	42609-NL6-000	FLANGE, FINAL DRIVEN	1	
• 5	42611-NL9-C40	SPACER, RR. BRAKE DISK	1	
• 6	42621-NL6-000	RETAINER, RR. WHEEL BRG	1	
• 7	42624-NL9-C40	COLLAR, RR. WHEEL DISTANCE	1	
• 8	42631-NL9-C40	COLLAR, RR. WHEEL R. SIDE	1	
• 9	42633-NL6-003	DAMPER, RR. WHEEL	6	
• 10	42650-NL9-C40	WHEEL ASSY., RR. 6.25 - 16.5	1	
11	42753-ML7-004	VALVE, RIM (DUN)	1	
• 12	43121-NL6-700	DISK, RR. BRAKE	1	
• 13	87000-NL6-000	TOOL, RETAINER A	1	
• 14	90119-NL9-C40	BOLT, RR. DISK (Ti)	4	
• 15	90120-NL6-300	BOLT, DRIVEN FLANGE 8MM	6	
• 16	90501-NL6-000	WASHER, RR. WHEEL BRG	1	
17	90651-ML0-731	CIRCLIP, INTERNAL, 62	1	
• 18	91051-NL6-000	BRG., BALL RADIAL 6205 2RS	1	
• 19	91052-NL6-003	BRG., ANGULAR 30 x 62 x 23.8	1	
• 20	91053-NL6-701	BRG., BALL RADIAL 52 x 27 x 15	1	

Block No.

F-9
FUEL TANK SET

2010 CBR1000RR

←FR.

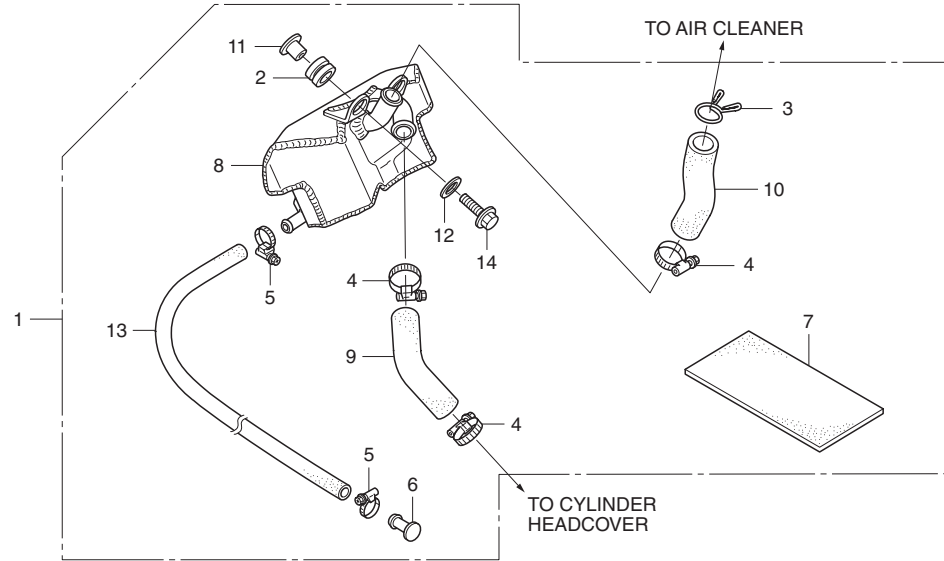


Ref. No.	Part No.	Description	Reqd. No.	Remarks
• 1	06176-NLR-000	RUBBER SET, FUEL PUMP	1	
• 2	16711-NLR-000	SPACER, FUEL PUMP.....	1	
• 3	17518-NLR-000	RUBBER, FUEL PUMP	1	
• 4	17574-NLR-000	PACKING, SPACER.....	1	
• 5	17575-NLR-000	PLATE, FUEL PUMP SETTING	1	
6	90105-MM4-000	SCREW, PAN, 6 x 10.....	6	

Block No.

F-10
BREATHER CASE SET

2010 CBR1000RR



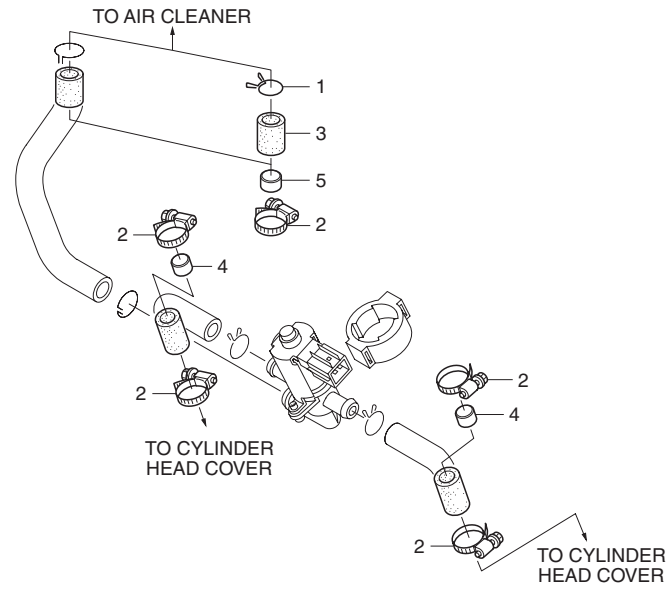
Ref. No.	Part No.	Description	Reqd. No.	Remarks
• 1	06552-NLR-A30	BREATHER CASE SET (JSB)	1	
2	18315-GAG-750	RUBBER A, PROTR.....	2	
3	18532-634-670	CLIP, AIR. HOSE, 21.5	1	
4	19505-KS6-700	CLAMP, A WATER HOSE	3	
5	19507-MAT-000	CLAMP, RADIATOR HOSE	2	
• 6	19513-NLR-A30	PLUG, HOSE 10 mm	1	
• 7	31517-NL9-000	SPONGE, MT 5 mm	1	
• 8	55200-NLR-000	CASE COMP., BREATHER	1	
• 9	55210-NLR-000	TUBE, BREATHER	1	
• 10	55220-NLR-000	TUBE, BREATHER RETURN	1	
11	84706-163-670	COLLAR, TAIL LIGHT MT	2	
12	90525-030-000	WASHER B, HANDLE HOLDER.....	2	
13	95005-80900-20	TUBE, 8 x 900	1	
14	96001-06022-00	BOLT, FLANGE, SH, 6 x 22.....	2	

Block No.

F-11

AIR INJECTION PLUG SET

2010 CBR1000RR

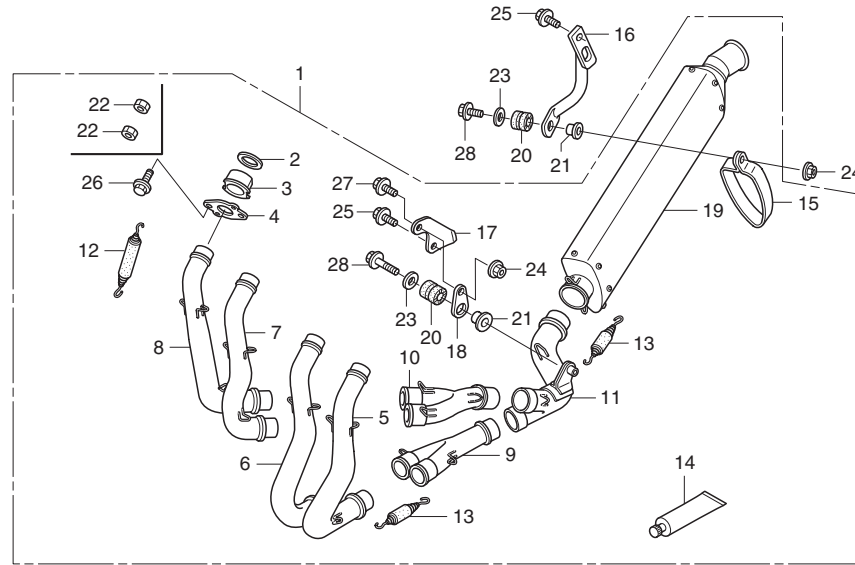


Ref. No.	Part No.	Description	Reqd. No.	Remarks
1	17724-102-700	CLIP, (SUB TANK) HOSE.....	1	
2	19505-KS6-700	CLAMP A, WATER HOSE	5	
3	95005-14035-20	TUBE, 14 x 35	1	
• 4	96205-14012	PLUG, CONE TYPE, 14 x 12	2	
• 5	96205-15012	PLUG, CONE TYPE, 15 x 12	1	

Block No.

F-12
EXHAUST SET

2010 CBR1000RR

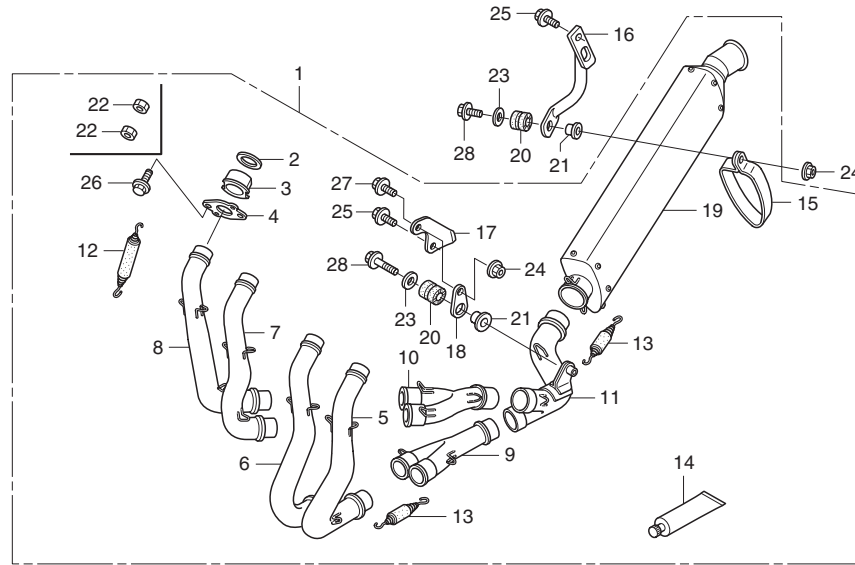


Ref. No.	Part No.	Description	Reqd. No.	Remarks
• 1	06183-NLR-B00	EXHAUST SET (SBK).....	1	
•	06183-NLR-B30	EXHAUST SET (JSB).....	1	
• 2	18291-NLR-000	GASKET, EXH., PIPE.....	4	
• 3	18292-NLR-000	COLLAR, EXH.....	4	
• 4	18298-NLR-000	FLANGE, EXH.....	4	
• 5	18301-NLR-B00	PIPE COMP., EXH. (#1).....	1	
• 6	18302-NLR-B00	PIPE COMP., EXH. (#2).....	1	
• 7	18303-NLR-B00	PIPE COMP., EXH. (#3).....	1	
• 8	18304-NLR-B00	PIPE COMP., EXH. (#4).....	1	
• 9	18305-NLR-B00	JOINT COMP., A1, EXH.....	1	
• 10	18306-NLR-B00	JOINT COMP., A2, EXH.....	1	
• 11	18307-NLR-B00	JOINT COMP., B, EXH.....	1	
• 12	18336-NL9-000	SPRING, EXH., PIPE (AKRAPOVIC).....	8	
• 13	18336-NLR-A30	SPRING, EXH., PIPE (SHORT).....	8	
• 14	18339-NL9-910	GREASE, ANTI SEIZING.....	1	
• 15	18370-NLR-B00	BAND, MUFFLER.....	1	
• 16	18371-NLR-000	STAY, MUFFLER.....	1	For HRC SEAT RAIL SET
•	18371-NLR-A20	STAY, MUFFLER.....	1	For STD. SEAT RAIL
• 17	18373-NLR-B00	STAY, EXH., PIPE.....	1	
• 18	18375-NLR-000	STAY, EXH., PIPE (20).....	1	

Block No.

F-12
EXHAUST SET

2010 CBR1000RR

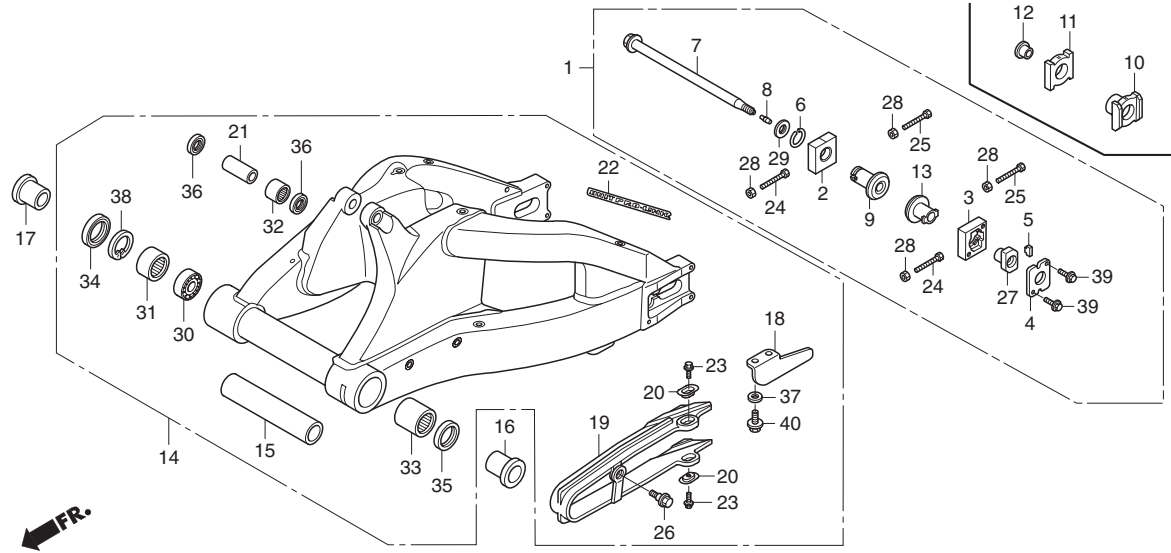


Ref. No.	Part No.	Description	Reqd. No.	Remarks
• 19	18380-NLR-B00	MUFFLER COMP. (SHORT) (SBK)	1	For SBK
•	18380-NLR-B30	MUFFLER COMP. (JSB).....	1	For JSB
20	19051-KA3-830	RUBBER, RAD MT.....	2	
21	19052-MAC-680	COLLAR, RAD MT.....	2	
22	90201-GCC-C50	NUT, HEX., 7 mm.....	2	
23	90403-KA3-830	WASHER, RAD MT.	2	
24	94050-06000	NUT, FLANGE, 6 mm	2	
25	95701-08016-00	BOLT, FLANGE, 8 x 16.....	2	
26	95701-08020-00	BOLT, FLANGE, 8 x 20.....	8	
27	96001-06012-00	BOLT, FLANGE, SH, 6 x 12	1	
28	96001-06025-00	BOLT, FLANGE, SH, 6 x 25.....	2	

Block No.

F-13
SWINGARM

2010 CBR1000RR

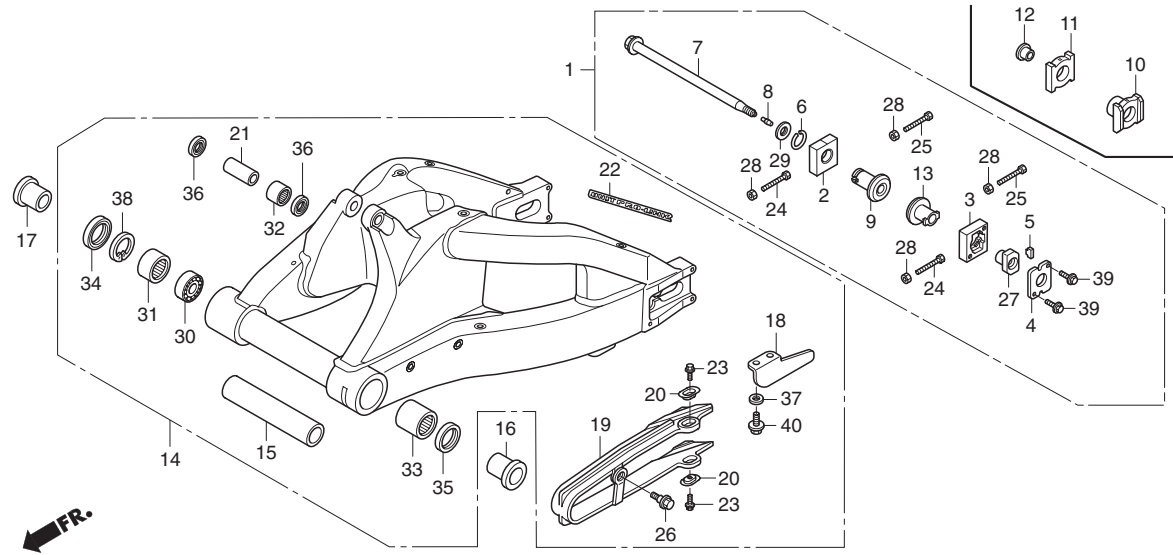


Ref. No.	Part No.	Description	Reqd. No.	Remarks
• 1	06405-NLR-000	DRIVE CHAIN ADJ SET	1	
• 2	40542-NLR-000	ADJ, R. DRIVE CHAIN	1	
• 3	40543-NLR-000	ADJ, L. DRIVE CHAIN	1	
• 4	40544-NLR-000	LID, L. DRIVE CHAIN ADJ.....	1	
• 5	40545-NL9-000	SPACER, ADJ. DRIVE CHAIN L.....	1	
6	41405-HA7-670	RING, STOPPER.....	1	
• 7	42301-NL9-000	AXLE, RR. WHEEL.....	1	
• 8	42302-NL6-700	GUIDE, RR. AXLE CNT	1	
• 9	42304-NL9-C40	COLLAR, RR. AXLE R.....	1	
• 10	42305-MEL-R10	COLLAR, L. RR. AXLE	1	
• 11	42306-MEL-R10	COLLAR, R. RR. AXLE.....	1	
• 12	42307-MEL-R10	COLLAR, R. JOINT	1	
• 13	42314-NLR-000	COLLAR, RR. AXLE L. SIDE.....	1	
• 14	52100-MFL-R20	SWINGARM ASSY., RR.....	1	
•	52100-NLR-B00	SWINGARM ASSY., RR.....	1	90101-NLR-B00 (BOLT, SPECIAL, 12 x 261.5 (TITANIUM)) use with set.
15	52102-MFL-700	COLLAR, RR. SWINGARM DISTANCE	1	
16	52143-MFL-000	COLLAR, L. PIVOT DISTANCE	1	STD.
17	52144-MFL-000	COLLAR, R. PIVOT DISTANCE	1	STD.
• 18	52157-NL3-650	PROTECTOR, SPRKT	1	
•	52157-NL6-700	PROTECTOR, SPRKT	1	For 52100-NLR-B00 (SWINGARM ASSY., RR.)

Block No.

F-13
SWINGARM

2010 CBR1000RR

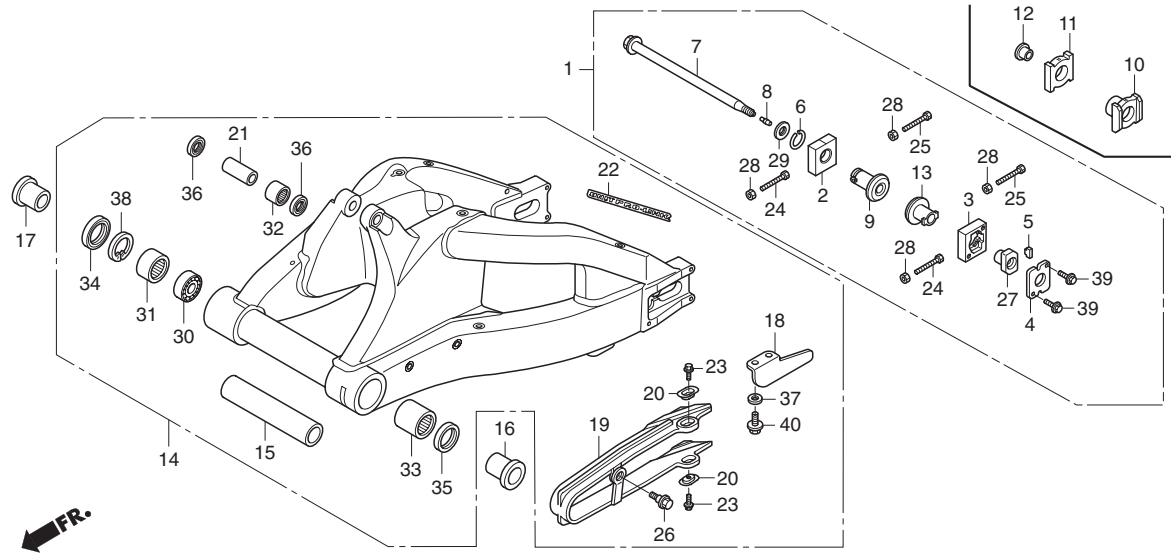


Ref. No.	Part No.	Description	Reqd. No.	Remarks
19	52170-MFL-010	SLIDER, CHAIN	1	STD.
20	52171-MFJ-D00	WASHER, CHAIN SLIDER.....	1	STD.
21	52463-MAL-G00	COLLAR, CUSHION CONNECTING ROD	1	STD.
22	87121-MEL-D20	MARK (UNIT PROLINK).....	1	STD.
23	90105-MY9-000	BOLT, FLANGE, SH 6 x 18.....	2	STD.
• 24	90106-NL9-000	BOLT, HEX. 8 x 55.....	2	
25	90119-KC5-000	BOLT, CHAIN ADJUSTER	2	
26	90130-MCJ-750	BOLT, CHAIN SLIDER.....	1	STD.
• 27	90308-NL9-000	NUT, RR. AXLE	1	
28	90309-357-000	NUT, HEX., 8 mm.....	4	
• 29	90536-NL9-000	WASHER, RR. AXLE	1	
30	91053-MCJ-003	BEARING, RADIAL BALL, 6905	1	STD.
31	91053-MCJ-751	BEARING, NEEDLE, 32 x 42 x 20	1	STD.
32	91071-KV3-005	BEARING, NEEDLE (KOYO)	1	STD.
33	91071-MCJ-003	BEARING, NEEDLE, 32 x 42 x 37	1	STD.
34	91252-MCF-003	DUST SEAL, 32 x 45 x 5.....	1	STD.
35	91253-MCF-003	DUST SEAL, 32 x 42 x 6.....	1	STD.
36	91262-KV3-831	DUST SEAL, 17 x 24 x 5 (ARAI)	2	STD.
37	94101-06700	WASHER, PLAIN 6 mm	2	

Block No.

F-13
SWINGARM

2010 CBR1000RR



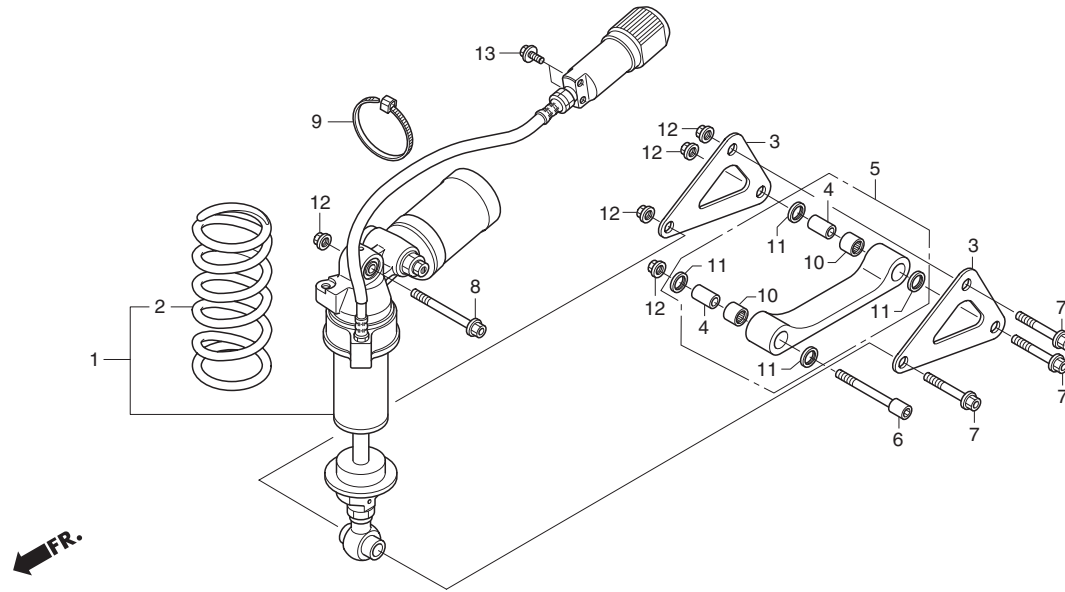
Ref. No.	Part No.	Description	Reqd. No.	Remarks
38	94520-45000	CIRCLIP, INTERNAL, 45 mm	1	STD.
39	96001-06012-00	BOLT, FLANGE, SH 6 x 12	2	
40	96001-06016-07	BOLT, FLANGE, SH, 6 x 16	2	

Block No.

F-14

REAR CUSHION

2010 CBR1000RR



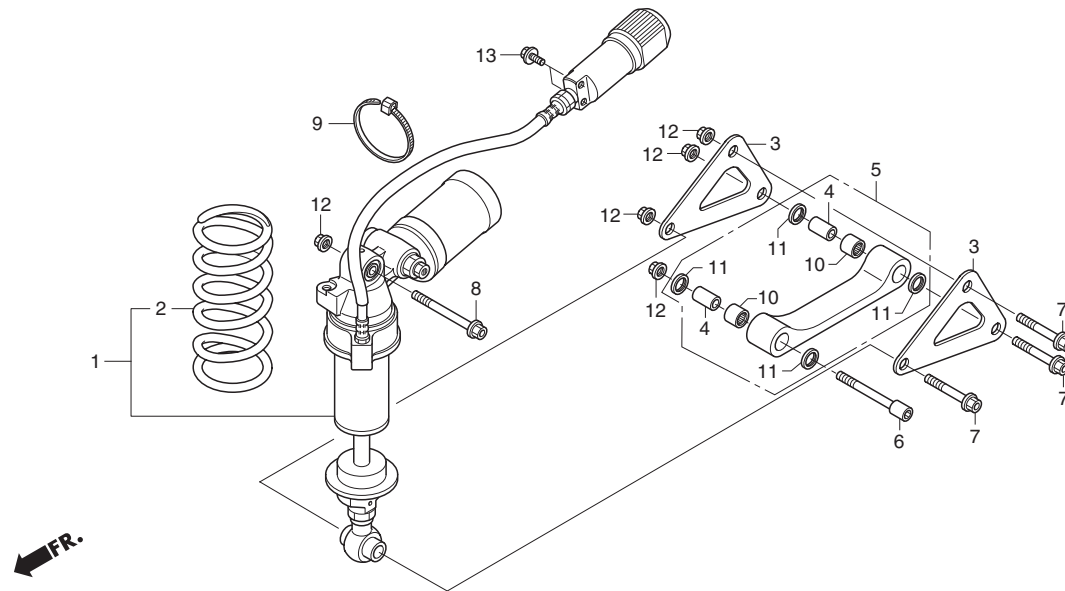
Ref. No.	Part No.	Description	Reqd. No.	Remarks
• 1	52400-MFL-R21	CUSHION ASSY., RR.....	1	
• 2	52401-MEL-R11	SPRING, RR. CUSHION 10.0	1	Red paint
•	52401-NL9-901	SPRING, RR. CUSHION 9.5	(1)	Blue paint
•	52402-NL9-901	SPRING, RR. CUSHION 10.5	(1)	White paint
•	52403-NL9-901	SPRING, RR. CUSHION 11.0	(1)	Black paint
•	52404-NL9-901	SPRING, RR. CUSHION 11.5	(1)	Green paint
•	52405-NL9-901	SPRING, RR. CUSHION 12.0	(1)	Silver paint
3	52461-MFL-000	PLATE, CUSHION ARM	2	STD.
•	52461-NLR-B00	PLATE, CUSHION ARM (R1, Fe)	2	
•	52461-NLR-B10	PLATE, CUSHION ARM (MEL, Fe)	2	
•	52461-NLR-B20	PLATE, CUSHION ARM (P2, Fe)	2	
•	52461-NLR-B30	PLATE, CUSHION ARM (P4, Fe)	2	
4	52463-MAL-G00	COLLAR, CUSHION CONN ROD	2	STD.
• 5	52470-MFL-R10	CONN ROD ASSY., CUSHION	1	
	52470-NLR-A20	CONN ROD ASSY., CUSHION (MEL)	1	
	52470-NLR-A30	CONN ROD ASSY., CUSHION (P2).....	1	
	52470-NLR-A40	CONN ROD ASSY., CUSHION (P4).....	1	
6	90107-MFJ-D00	BOLT, SOCKET 10 x 70.....	1	STD.
7	90121-MFL-000	BOLT, FLANGE, DR, 10 x 62.....	3	STD.
8	90132-MEL-000	BOLT, FLANGE, DR, 10 x 75.....	1	STD.
9	90620-SB2-003	BAND, WIRE HARN	1	
10	91071-KV3-005	BEARING, NEEDLE (KOYO)	2	STD.

Block No.

F-14

REAR CUSHION

2010 CBR1000RR

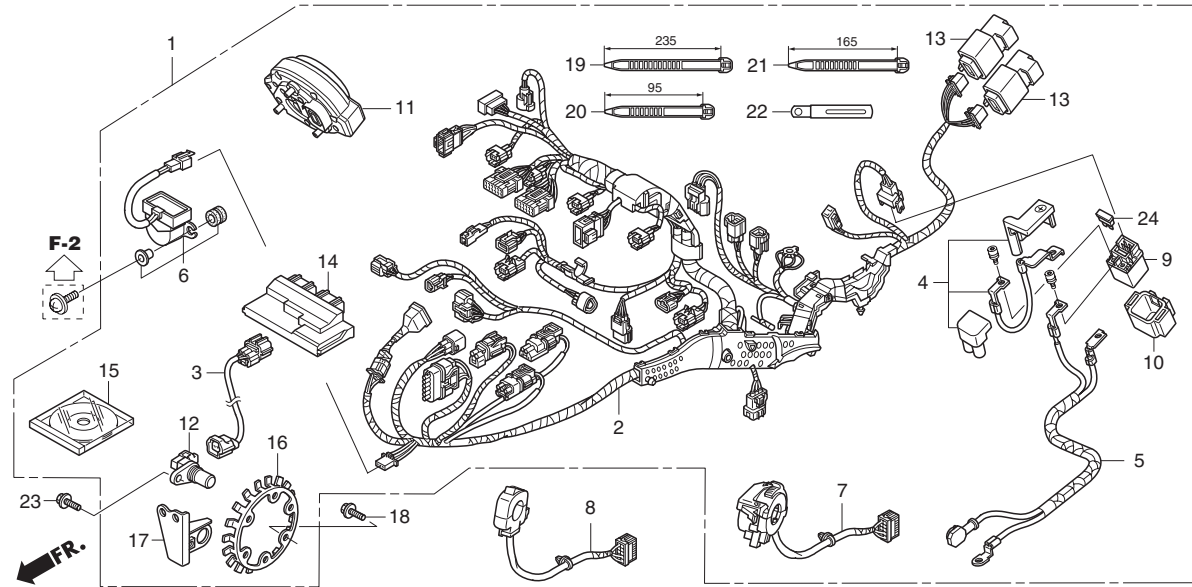


Ref. No.	Part No.	Description	Reqd. No.	Remarks
11	91262-KV3-831	DUST SEAL 17 x 24 x 5 (ARAI)	4	STD.
12	94050-10000	NUT, FLANGE, 10 mm	5	
13	96001-06012-00	BOLT, FLANGE, SH, 6 x 12	2	

Block No.

**F-15
HARNESS SET**

2010 CBR1000RR

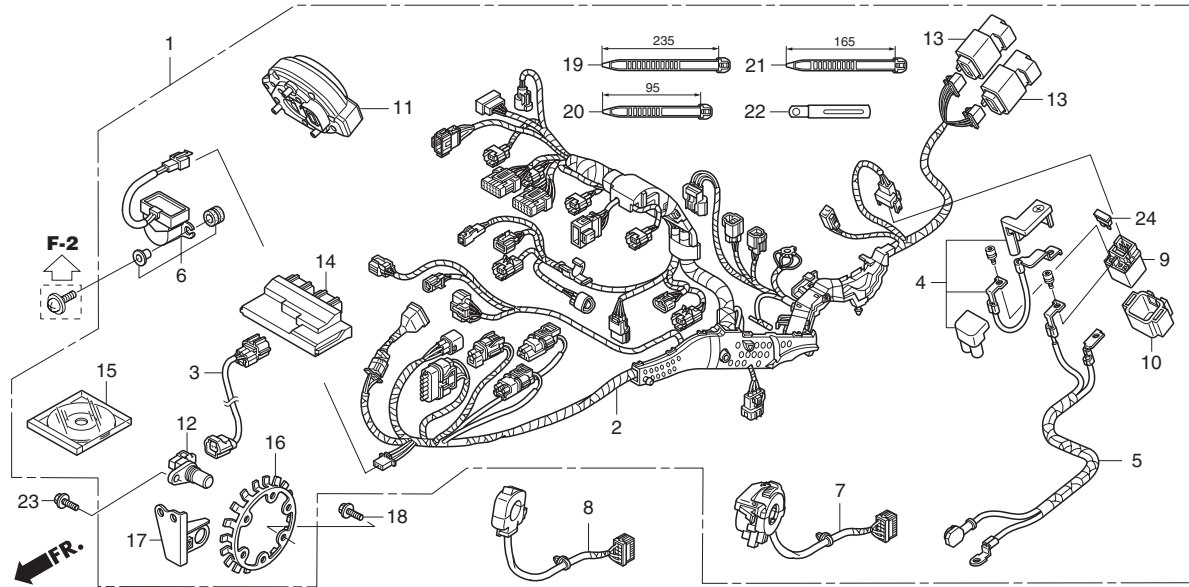


Ref. No.	Part No.	Description	Reqd. No.	Remarks
• 1	06321-NLR-B00	HARNESS SET	1	
• 2	32100-MFL-R20	HARNESS WIRE	1	
• 3	32170-NLR-A30	SUB CORD, SPEED SENSOR	1	
• 4	32401-MFL-R10	CABLE START BAT	1	
• 5	32405-MFL-R10	CABLE STARTER & EARTH.....	1	
• 6	35160-MBW -Y02	SENSOR ASSY., BANK ANGLE	1	
• 7	35200-MFL-R10	SW. ASSY., TURN SIGNAL.....	1	
• 8	35400-NLR-A30	SW. ASSY., MODE.....	1	
• 9	35850-MR5-007	SW. ASSY., START MAG	1	
• 10	35856-MBG-003	RUBBER, SHOCK.....	1	
• 11	37100-MFL-R20	METER ASSY., COMB	1	
• 12	37700-GET-731	SPEED SENSOR FINAL GEAR	1	
• 13	38500-GC7-612	RELAY ASSY., START	2	
• 14	38770-NLR-B31	UNIT ASSY., PGM-FI/IGN.....	1	
• 15	38771-NLR-B30	CD-ROM, PGM-FI/IGN	1	
• 16	44691-NKZ-610	PULSER, FR. WHEEL	1	For STD. WHEEL
• 17	44692-NLR-A20	STAY, VFW SENSOR.....	1	For STD. WHEEL, STD. FORK
• 18	90003-MB2-000	BOLT, FLANGE, 6 x 20.....	6	
• 19	90620-SB2-003	BAND, WIRE HARN	1	
• 20	90650-KV6-003	BAND, WIRE	1	

Block No.

**F-15
HARNESS SET**

2010 CBR1000RR

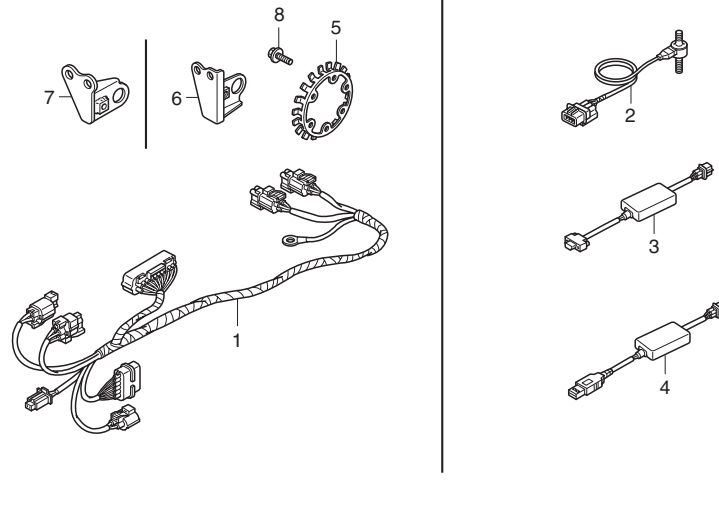


Ref. No.	Part No.	Description	Reqd. No.	Remarks
21	90651-KV6-003	BAND, WIRE	2	
22	91405-943-000	CLIP, CORD	1	
23	96001-06014-00	BOLT, FLANGE, SH, 6 x 14	1	
24	98200-33000	BLADE FUSE 30A	1	

Block No.

F-16
DATALOGGER /
SHIFT FORCE SENSOR

2010 CBR1000RR

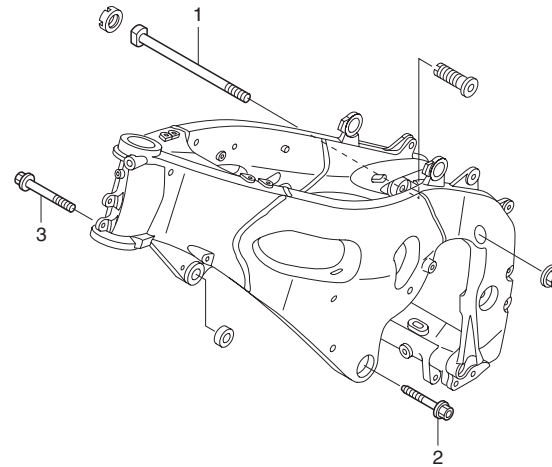


Ref. No.	Part No.	Description	Reqd. No.	Remarks
• 1	32150-NKZ-A00	HARNES MEASURE CBR1000RR (08).....	1	For HRC DataLogger
• 2	38200-NLR-A30	SENSOR ASSY., SHIFT FORCE.....	1	
• 3	38880-NL3-750	UNIT ASSY., SERIAL I/F	1	RC232C type
• 4	38880-NL9-C00	UNIT ASSY., SERIAL I/F (USB)	1	USB type
• 5	44691-NKZ-000	PULSER, FR. WHEEL	1	For NL9 WHEEL
• 6	44692-NLR-A30	STAY, VFW SENSOR.....	1	For NL9 WHEEL, STD. FORK
• 7	44692-NKZ-621	STAY, VFW SENSOR.....	1	For NL9 WHEEL, SHOWA SPL FORK
8	90003-MB2-000	BOLT, FLANGE, 6 x 20.....	6	

Block No.

F-17
ENGINE HANGER BOLT

2010 CBR1000RR

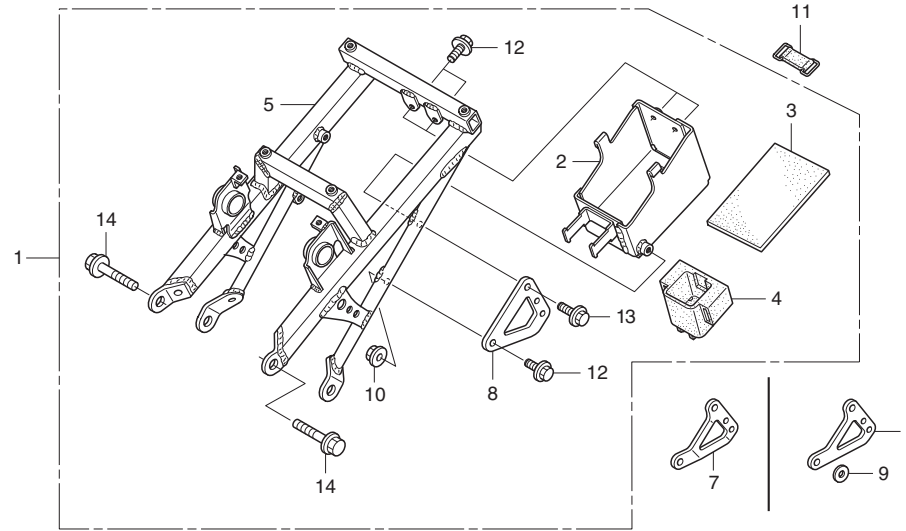


Ref. No.	Part No.	Description	Reqd. No.	Remarks
• 1	90101-NLR-B00	BOLT, SPECIAL, 12 x 261.5	1	TITANIUM, 52100-NLR-B00 (SWINGARM ASSY., RR.) use with set.
• 2	90163-NLR-B00	BOLT, FLANGE DR, 12 x 45.....	1	Fe, Hollow bolt
• 3	90163-MEL-000	BOLT, FLANGE DR, 12 x 50.....	1	Fe, Hollow bolt

Block No.

F-18
SEAT RAIL SET

2010 CBR1000RR



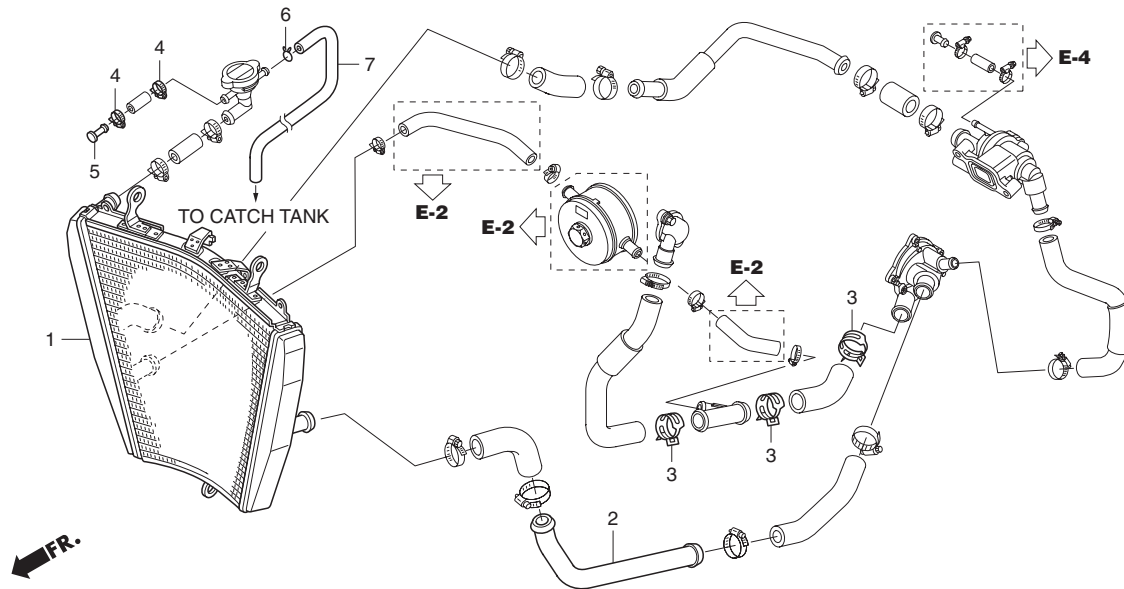
←FR.

Ref. No.	Part No.	Description	Reqd. No.	Remarks
• 1	06502-NLR-000	SEAT RAIL SET	1	
• 2	31510-NLR-000	TRAY COMP., BATTERY.....	1	
• 3	31517-NL9-910	SPONGE, MT 3 mm	1	
• 4	35856-KBG-007	RUBBER, SHOCK.....	1	
• 5	50240-NLR-000	SEAT RAIL COMP.	1	
• 6	52430-MFL-R10	STAY, RR. CUSH ADJ.....	1	For STD. SEAT RAIL
• 7	52430-NLR-A20	PLATE, RR. CUSH ADJ.....	1	For STD. SEAT RAIL
• 8	52430-NL9-910	PLATE, RR. CUSH ADJ.....	1	For HRC SEAT RAIL
• 9	90471-SB0-000	WASHER, PLAIN 8 mm	1	
• 10	94050-06000	NUT, FLANGE, 6 mm	2	
• 11	95012-12001	BAND B1, BATTERY	1	
• 12	96001-06012-00	BOLT, FLANGE, SH, 6 x 12.....	3	
• 13	96001-06014-00	BOLT, FLANGE, SH, 6 x 14.....	1	
• 14	96300-10020-00	BOLT, FLANGE, DR, 10 x 20.....	2	

Block No.

F-19
RADIATOR

2010 CBR1000RR



Ref. No.	Part No.	Description	Reqd. No.	Remarks
• 1	19010-MFL-R21	RADIATOR COMP.	1	
• 2	19502-MFL-R10	PIPE, L. RADIATOR	1	
• 3	19506-NLR-B30	CLIP, WATER HOSE	3	
• 4	19507-MAT-000	CLAMP, RADIATOR HOSE	2	
• 5	19511-NL3-650	PLUG, FAST IDLE	1	
6	95002-50000	CLIP C9, TUBE	1	
7	95003-10100-31	V TUBE 5 x 8 x 1000	1	

2010 CBR1000RR PART NO. INDEX

Part No.	Block	Part No.	Block	Part No.	Block	Part No.	Block
00X31-NLR-A20	E- 1	11392-NLR-A30	E- 6	16400-MFL-R11	E- 9	18339-NL9-910	F-12
				16514-NL9-710	E- 8	18357-KA4-710	F- 2
				16711-NLR-000	F- 9	18370-NLR-B00	F-12
						18371-NLR-000	F-12
06110-NLR-A30	E- 1	12191-NLR-A31	E- 1			18371-NLR-A20	F-12
06130-NLR-C30	E- 6	12192-NLR-A31	E- 1			18373-NLR-B00	F-12
06160-NLR-B30	E- 8	12193-NLR-A31	E- 1	17215-NLR-B30	E- 8	18375-NLR-000	F-12
06176-NLR-000	F- 9	12251-NLR-A31	E- 1	17216-NLR-B30	E- 8	18380-NLR-B00	F-12
06180-NLR-A30	E- 2	12252-NLR-A31	E- 1	17217-NLR-B30	E- 8	18380-NLR-B30	F-12
06183-NLR-B00	F-12	12253-NLR-A31	E- 1	17218-NLR-B30	E- 8	18532-634-670	F-10
06183-NLR-B30	F-12	12254-NLR-A31	E- 1	17518-NLR-000	F- 9		
06210-NLR-B30	E- 7			17574-NLR-000	F- 9		
06260-NLR-000	E- 3			17575-NLR-000	F- 9		
06280-NLR-A30	E- 5			17724-102-700	F-11	19010-MFL-R21	F-19
06321-NLR-B00	F-15	14110-MFL-R10	E- 1	17910-NLR-000	F- 1	19051-KA3-830	F-12
06405-NLR-000	F-13	14210-MFL-R10	E- 1	17920-NLR-000	F- 1	19052-MAC-680	F-12
06443-NL9-000	F- 7	14321-NLR-A30	E- 1			19320-MFL-R11	E- 4
06443-NL9-720	F- 7	14751-MFL-R10	E- 1			19502-MFL-R10	F-19
06451-166-405	F- 6	14752-MFL-R10	E- 1			19505-KS6-700	F-10
06502-NLR-000	F-18	14761-MFL-R10	E- 1	18291-NLR-000	F-12		F-11
06531-NL3-750	F- 1			18292-NLR-000	F-12	19506-NLR-B30	F-19
06552-NLR-A30	F-10			18298-NLR-000	F-12	19507-MAT-000	E- 4
				18301-NLR-B00	F-12		F-10
		15150-NLR-000	E- 3	18302-NLR-B00	F-12		F-19
		15161-NLR-000	E- 3	18303-NLR-B00	F-12	19511-NL3-650	E- 4
11211-NLR-000	E- 3	15220-NLR-000	E- 3	18304-NLR-B00	F-12		F-19
11212-NLR-000	E- 3	15611-NF4-900	E- 4	18305-NLR-B00	F-12	19513-NLR-A30	F-10
11213-NLR-000	E- 3	15661-NLR-003	E- 3	18306-NLR-B00	F-12	19526-MFL-R10	E- 2
11217-NLR-000	E- 3	15700-MFL-R11	E- 2	18307-NLR-B00	F-12	19529-MFL-R10	E- 2
11292-NLR-000	E- 3			18315-GAG-750	F-10	19602-NF4-810	F- 2
11321-NLR-A30	E- 6			18336-NL9-000	F-12		
11322-NLR-A30	E- 6			18336-NLR-A30	F-12		

2010 CBR1000RR PART NO. INDEX

Part No.	Block	Part No.	Block	Part No.	Block	Part No.	Block
		23454-NLR-B40	E- 7-1	31517-NL9-910	F-18		
22120-MFL-R20	E- 5	23455-NLR-B40	E- 7-1	31910-NLR-A31	E- 1	38200-NLR-A30	F-16
22201-MEL-000	E- 5	23456-NLR-B40	E- 7-1			38500-GC7-612	F-15
22201-NL9-C30	E- 5	23461-NLR-B40	E- 7			38770-NLR-B31	F-15
22201-NLR-A30	E- 5	23462-NLR-B40	E- 7-1			38771-NLR-B30	F-15
22321-MEL-000	E- 5	23463-NLR-B40	E- 7-1	32100-MFL-R20	F-15	38880-NL3-750	F-16
22321-MT3-000	E- 5	23481-NLR-B40	E- 7	32150-NKZ-A00	F-16	38880-NL9-C00	F-16
22322-MEL-000	E- 5	23482-NLR-B40	E- 7-1	32170-NLR-A30	F-15		
22322-MN4-000	E- 5	23483-NLR-B40	E- 7-1	32401-MFL-R10	F-15		
22325-MFL-R20	E- 5	23491-MFL-R10	E- 7	32405-MFL-R10	F-15		
22326-MFL-R10	E- 5	23492-NLR-A30	E- 7-1			40542-NLR-000	F-13
22350-MFL-R20	E- 5	23493-NLR-A30	E- 7-1			40543-NLR-000	F-13
22401-MFL-R20	E- 5	23494-NLR-A30	E- 7-1			40544-NLR-000	F-13
22870-NLR-000	F- 1	23501-MFL-R10	E- 7	35160-MBW-Y02	F-15	40545-NL9-000	F-13
		23502-NLR-A30	E- 7-1	35200-MFL-R10	F-15		
		23503-NLR-A30	E- 7-1	35400-NLR-A30	F-15		
		23504-NLR-A30	E- 7-1	35850-MR5-007	F-15		
23211-MFL-R10	E- 7	23511-MFL-R10	E- 7	35856-KBG-007	F-18	41405-HA7-670	F-13
23212-NLR-A30	E- 7-1	23512-NLR-A30	E- 7-1	35856-MBG-003	F-15		
23213-NLR-A30	E- 7-1	23513-NLR-A30	E- 7-1				
23421-NLR-B40	E- 7	23514-NLR-A30	E- 7-1				
23422-NLR-B40	E- 7-1	23521-MFL-R10	E- 7			42301-NL9-000	F-13
23423-NLR-B40	E- 7-1	23522-NLR-A30	E- 7-1	36140-NLR-B00	E- 1	42302-NL6-700	F-13
23431-NLR-B40	E- 7	23523-NLR-A30	E- 7-1			42304-NL9-C40	F-13
23432-NLR-B40	E- 7-1	23524-NLR-A30	E- 7-1			42305-MEL-R10	F-13
23433-NLR-B40	E- 7-1					42306-MEL-R10	F-13
23441-NLR-B40	E- 7			37100-MFL-R20	F-15	42307-MEL-R10	F-13
23442-NLR-B40	E- 7-1			37244-MM4-000	F- 2	42311-NL9-C40	F- 8
23443-NLR-B40	E- 7-1	31110-NLR-C30	E- 6	37700-GET-731	F-15	42312-NL6-000	F- 8
23451-NLR-B40	E- 7	31120-NLR-A32	E- 6	37700-MFL-R21	E- 7	42314-NLR-000	F-13
23452-NLR-B40	E- 7-1	31510-NLR-000	F-18			42601-NL9-710	F- 8
23453-NLR-B40	E- 7-1	31517-NL9-000	F-10			42609-NL6-000	F- 8

2010 CBR1000RR PART NO. INDEX

Part No.	Block	Part No.	Block	Part No.	Block	Part No.	Block
42611-NL9-C40	F- 8	44301-NL9-720	F- 7	45131-166-016	F- 6	51490-MFL-003	F- 3
42621-NL6-000	F- 8	44303-NL9-000	F- 7	45132-166-016	F- 6	51497-MEL-D20	F- 5
42624-NL9-C40	F- 8	44303-NL9-720	F- 7	45133-MA3-006	F- 6	51497-NLR-A30	F- 5
42631-NL9-C40	F- 8	44304-NL9-000	F- 7	45220-MFL-R11	F- 5	51500-MFL-R11	F- 3
42633-NL6-003	F- 8	44304-NL9-720	F- 7	45250-NL9-910	F- 5		
42650-NL9-C40	F- 8	44305-NL9-000	F- 7	45500-NL5-701	F- 5		
42753-ML7-004	F- 7	44306-NL9-720	F- 7	45520-NL5-701	F- 5		
	F- 8	44311-NL9-710	F- 7			52100-MFL-R20	F-13
		44311-NL9-810	F- 7			52100-NLR-B00	F-13
		44311-NL9-910	F- 7			52102-MFL-700	F-13
		44601-NL9-710	F- 7	50240-NLR-000	F-18	52143-MFL-000	F-13
43100-NLR-B01	F- 6	44620-NL9-710	F- 7	50252-GC4-830	E- 2	52144-MFL-000	F-13
43105-NL9-C30	F- 6	44622-NL0-810	F- 7			52157-NL3-650	F-13
43105-NL9-C41	F- 6	44650-NL9-710	F- 7			52157-NL6-700	F-13
43105-NLR-B00	F- 6	44691-NKZ-000	F-16			52170-MFL-010	F-13
43106-NL9-C30	F- 6	44691-NKZ-610	F-15	51400-MFL-R11	F- 3	52171-MFJ-D00	F-13
43106-NL9-C41	F- 6	44692-NKZ-621	F-16	51401-MEL-R31	F- 3	52400-MFL-R21	F-14
43107-MEL-D21	F- 6	44692-NLR-A20	F-15	51401-NL9-711	F- 3	52401-MEL-R11	F-14
43108-MEL-D21	F- 6	44692-NLR-A30	F-16	51401-NL9-901	F- 3	52401-NL9-901	F-14
43110-MEL-R31	F- 6			51402-NL9-711	F- 3	52402-NL9-901	F-14
43110-NLR-000	F- 6			51402-NL9-901	F- 3	52403-NL9-901	F-14
43112-MEL-D21	F- 6			51403-MFL-R11	F- 3	52404-NL9-901	F-14
43121-NL6-700	F- 8	45105-NL3-921	F- 5	51404-MFL-R11	F- 3	52405-NL9-901	F-14
43131-KW3-006	F- 6	45105-NL9-000	F- 5	51406-MEL-R11	F- 3	52430-MFL-R10	F-18
43150-MEL-R31	F- 6	45105-NL9-801	F- 5	51410-MFL-003	F- 3	52430-NL9-910	F-18
43215-KZ4-J41	F- 6	45105-NL9-900	F- 5	51412-MEL-003	F- 3	52430-NLR-A20	F-18
43352-568-003	F- 6	45105-NL9-C00	F- 5	51414-MFL-003	F- 3	52442-KA3-711	F- 3
43353-461-771	F- 6	45106-NL3-921	F- 5	51415-MCF-003	F- 3	52461-MFL-000	F-14
		45111-MAJ-G41	F- 6	51430-MFL-003	F- 3	52461-NLR-B00	F-14
		45120-MFL-R11	F- 5	51447-KA4-711	F- 3	52461-NLR-B10	F-14
		45130-NL9-000	F- 5	51450-MFL-003	F- 3	52461-NLR-B20	F-14
44301-NL6-000	F- 7	45130-NLR-A30	F- 5	51455-MW4-003	F- 3	52461-NLR-B30	F-14

2010 CBR1000RR PART NO. INDEX

Part No.	Block	Part No.	Block	Part No.	Block	Part No.	Block
52463-MAL-G00	F-13			90104-GT8-600	F- 5	90526-NL9-000	F- 7
52463-MAL-G00	F-14	84706-163-670	F- 2	90105-MM4-000	F- 9	90526-NL9-720	F- 7
52470-MFL-R10	F-14		F-10	90105-MY9-000	F-13	90535-NL9-720	F- 7
52470-NLR-A20	F-14			90106-NL9-000	F-13	90536-NL9-000	F-13
52470-NLR-A30	F-14			90107-MFJ-D00	F-14	90620-SB2-003	F-14
52470-NLR-A40	F-14			90109-MR7-000	F- 3	90620-SB2-003	F-15
		87000-NL6-000	F- 8	90119-KC5-000	F-13	90650-KV6-003	F-15
		87121-MEL-D20	F-13	90119-NL9-C40	F- 8		F-15
				90120-NL6-300	F- 8	90651-ML0-731	F- 8
53141-MT7-000	F- 1			90121-MFL-000	F-14	90651-NC8-000	F- 2
53160-NL5-701	F- 5			90126-MR7-003	F- 3		
53167-KV3-700	F- 1	89030-NL9-711	E- 6	90130-MCJ-750	F-13		
53168-KV3-701	F- 1			90131-MEL-D20	F- 5		
53700-NLR-003	F- 4			90132-MEL-000	F-14	91051-NL6-000	F- 8
53707-NLR-A00	F- 4			90163-MEL-000	F-17	91052-NL6-003	F- 8
53708-NLR-A00	F- 4	90003-MB2-000	F-15	90163-NLR-B00	F-17	91053-MCJ-003	F-13
53717-NLR-A00	F- 4		F-16	90201-GCC-C50	F-12	91053-MCJ-751	F-13
53718-NLR-A00	F- 4	90003-MC7-000	F- 5	90305-NL6-000	F- 7	91053-NL6-701	F- 8
		90003-NL5-000	E- 2	90305-NL9-720	F- 7	91057-NL9-710	F- 7
		90003-NL9-000	E- 6	90308-NL9-000	F-13	91071-KV3-005	F-13
		90004-492-010	E- 7	90309-357-000	F-13		F-14
55200-NLR-000	F-10	90005-NLR-000	E- 3	90402-MFJ-D01	E- 2	91071-MCJ-003	F-13
55210-NLR-000	F-10	90006-GHB-660	E- 6	90402-NL6-000	E- 7	91252-MCF-003	F-13
55220-NLR-000	F-10	90006-GHB-680	E- 6	90403-KA3-830	F-12	91253-MCF-003	F-13
			E- 3	90471-SB0-000	F-18	91254-MEJ-003	F- 3
		90006-GHB-690	E- 3	90488-425-000	E- 1	91258-GF4-003	F- 3
		90019-N1A-D00	E- 2	90501-NL6-000	F- 8	91262-KV3-831	F-13
64501-NLR-000	F- 2	90029-NLR-A30	E- 6	90503-NL6-000	F- 7		F-14
64503-NLR-000	F- 2	90081-NX4-000	E- 3	90525-030-000	F- 2	91303-KF0-003	E- 1
64503-NLR-A20	F- 2	90082-NL9-710	E- 1		F-10	91313-MB0-003	E- 3
		90101-NL6-000	F- 6	90525-NL9-000	F- 7	91354-MCT-003	E- 2
		90101-NLR-B00	F-17	90525-NL9-720	F- 7	91405-943-000	F-15

2010 CBR1000RR PART NO. INDEX

Part No.	Block	Part No.	Block	Part No.	Block	Part No.	Block
		95701-08016-00	F-12				
		95701-08020-00	F-12				
93500-05022-0G	F- 1						
93891-04022-07	F- 2						
93913-25380	F- 2	96001-06012-00	F-12				
			F-13				
			F-14				
			F-18				
94001-06200-0S	F- 2	96001-06014-00	F-15				
94050-04000	F- 2		F-18				
94050-06000	F-12	96001-06016-07	F-13				
	F-18	96001-06018-00	F- 4				
94050-10000	F-14	96001-06020-00	F- 2				
94101-06700	F-13	96001-06022-00	F- 4				
94103-05700	F- 2		F-10				
94109-12000	E- 3	96001-06025-00	F-12				
94109-14000	E- 6	96205-14012	F-11				
94520-45000	F-13	96205-15012	F-11				
		96300-08020-00	F- 2				
		96300-10020-00	F-18				
		96600-06025-00	E- 6				
95002-40850-08	F- 5						
95002-50000	F-19						
95003-10100-31	F-19						
95003-11015-60	F- 5	98200-33000	F-15				
95005-14035-20	F-11						
95005-80900-20	F-10						
95012-12001	F-18						
95701-06016-00	E- 6						
95701-06030-00	E- 3						
95701-06032-00	E- 3						